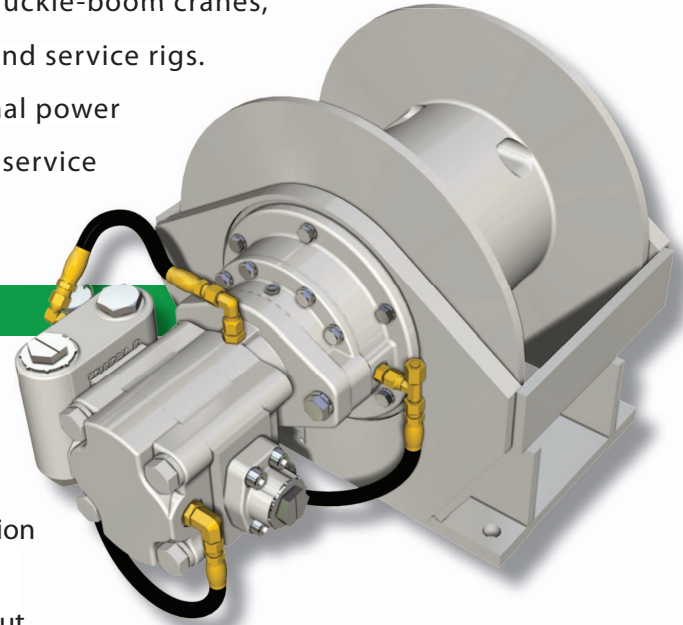


The BRADEN BG6B delivers superior performance in a variety of hoisting applications, including marine installations, service truck and knuckle-boom cranes, as well as personnel handling systems for drilling and service rigs. The compact and sturdy design provides exceptional power and durability. Low maintenance costs and ease of service make the BRADEN BG6B a smart choice for any job.

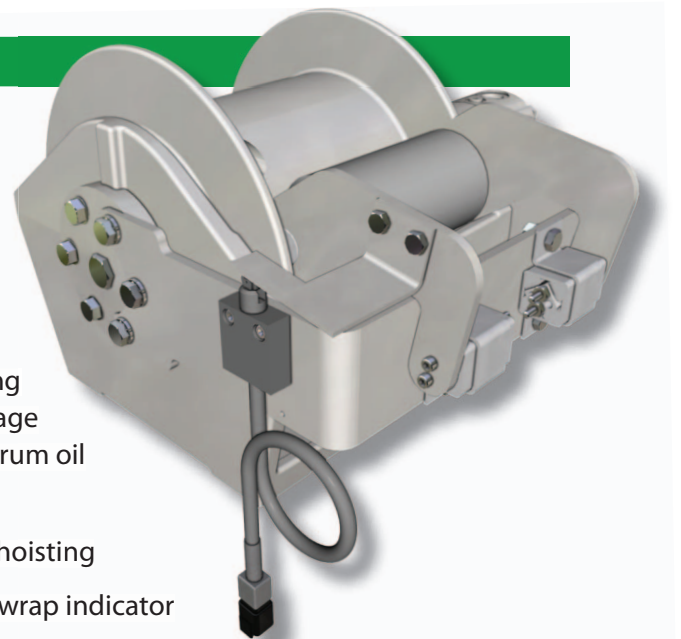
Features/Benefits

- Sealed, high-efficiency planetary reduction gearing provides continuous-duty performance
- Counterbalance valve for dynamic braking paired with a multi-disc static brake enables smooth operation and fail-safe load handling
- High-efficiency, anti-friction bearings used throughout hoist to ensure long service life
- Cable wedge anchor system facilitates rope installation and removal
- Cast ductile iron base and heavy-duty construction ensure secure mounting and unparalleled reliability in tough applications



Options

- Choose from three gear ratios, two drum sizes, and multiple gear motor options for optimum performance
- High-line pull option for up to 7,000 lb (3,180 kg) in select applications**
- API Specification 2C-compliant personnel handling option expands functionality for crane and rig usage and improves serviceability with easy-to-access drum oil drain
- Underwind configuration available for clockwise hoisting
- Tension roller kit available separately or with last-wrap indicator for enhanced productivity



** Requires Braden Engineering application approval

BG6B PLANETARY HOIST

6,000 lb (2,720 kg)

BRADEN®

Performance

BG6B-07119-01

MOTOR	119 (11.9 cu in.)	
PRESSURE	2,660 psi	
FLOW	20 gpm	
WIRE ROPE DIA	7/16 in.	
LAYER	LINE PULL (lb)	LINE SPEED (fpm)
1	6,000	100
2	5,400	111
3	4,920	122
4*	4,510	133

* Layer does not meet ANSI B30.7

MOTOR	119 (195 cc)	
PRESSURE	184 bar	
FLOW	76 lpm	
WIRE ROPE DIA	11 mm	
LAYER	LINE PULL (kg)	LINE SPEED (mpm)
1	2,720	30
2	2,450	34
3	2,225	37
4*	2,045	41

* Layer does not meet ANSI B30.7

BG6B-29020-01

MOTOR	020 (1.96 cu in.)	
PRESSURE	3,000 psi	
FLOW	25 gpm	
WIRE ROPE DIA	7/16 in.	
LAYER	LINE PULL (lb)	LINE SPEED (fpm)
1	4,380	177
2	3,940	196
3	3,590	216
4*	3,290	236

* Layer does not meet ANSI B30.7

MOTOR	020 (32.1 cc)	
PRESSURE	207 bar	
FLOW	94.6 lpm	
WIRE ROPE DIA	11 mm	
LAYER	LINE PULL (kg)	LINE SPEED (mpm)
1	1,985	54
2	1,790	60
3	1,630	66
4*	1,490	72

* Layer does not meet ANSI B30.7

BG6B-29020-02

MOTOR	020 (1.96 cu in.)	
PRESSURE	3,000 psi	
FLOW	25 gpm	
WIRE ROPE DIA	7/16 in.	
LAYER	LINE PULL (lb)	LINE SPEED (fpm)
1	4,380	177
2	3,940	196
3	3,590	216
4	3,290	236
5	3,040	255
6	2,820	275
7*	2,640	294
8*	2,470	314

* Layer does not meet ANSI B30.7

MOTOR	020 (32.1 cc)	
PRESSURE	207 bar	
FLOW	94.6 lpm	
WIRE ROPE DIA	11 mm	
LAYER	LINE PULL (kg)	LINE SPEED (mpm)
1	1,985	54
2	1,790	60
3	1,630	66
4	1,490	72
5	1,380	78
6	1,280	84
7*	1,200	90
8*	1,120	96

* Layer does not meet ANSI B30.7

Performance (cont.)

BG6B-29029-02

MOTOR	029 (2.94 cu in.)	
PRESSURE	2,700 psi	
FLOW	21 gpm	
WIRE ROPE DIA	7/16 in.	
LAYER	LINE PULL (lb)	LINE SPEED (fpm)
1	6,000	92
2	5,400	103
3	4,920	113
4	4,510	123
5	4,160	133
6	3,870	144
7*	3,610	154
8*	3,390	164

* Layer does not meet ANSI B30.7

MOTOR	029 (48 cc)	
PRESSURE	186 bar	
FLOW	79 lpm	
WIRE ROPE DIA	11 mm	
LAYER	LINE PULL (kg)	LINE SPEED (mpm)
1	2,720	28
2	2,450	31
3	2,230	34
4	2,050	37
5	1,890	41
6	1,755	44
7*	1,640	47
8*	1,540	50

* Layer does not meet ANSI B30.7

BG6B-29039-01

MOTOR	039 (3.92 cu in.)	
PRESSURE	1,970 psi	
FLOW	27 gpm	
WIRE ROPE DIA	7/16 in.	
LAYER	LINE PULL (lb)	LINE SPEED (fpm)
1	6,000	92
2	5,400	103
3	4,920	113
4*	4,510	123

* Layer does not meet ANSI B30.7

MOTOR	039 (64 cc)	
PRESSURE	136 bar	
FLOW	102 lpm	
WIRE ROPE DIA	11 mm	
LAYER	LINE PULL (kg)	LINE SPEED (mpm)
1	2,720	28
2	2,450	31
3	2,230	34
4*	2,050	37

* Layer does not meet ANSI B30.7

BG6B-67013-01

MOTOR	013 (1.28 cu in.)	
PRESSURE	2,400 psi	
FLOW	17 gpm	
WIRE ROPE DIA	7/16 in.	
LAYER	LINE PULL (lb)	LINE SPEED (fpm)
1	5,000	89
2	4,500	99
3	4,100	109
4*	3,760	119

* Layer does not meet ANSI B30.7

MOTOR	013 (21 cc)	
PRESSURE	165 bar	
FLOW	64 lpm	
WIRE ROPE DIA	11 mm	
LAYER	LINE PULL (kg)	LINE SPEED (mpm)
1	2,270	27
2	2,040	30
3	1,860	33
4*	1,705	36

* Layer does not meet ANSI B30.7

BG6B PLANETARY HOIST

6,000 lb (2,720 kg)

BRADEN®

Performance (cont.)

BG6B-67013-02

MOTOR	013 (1.28 cu in.)	
PRESSURE	2,400 psi	
FLOW	17 gpm	
WIRE ROPE DIA	7/16 in.	
LAYER	LINE PULL (lb)	LINE SPEED (fpm)
1	5,000	89
2	4,500	99
3	4,100	109
4	3,760	119
5	3,470	128
6	3,220	138
7*	3,010	148
8*	2,820	158

* Layer does not meet ANSI B30.7

MOTOR	013 (21 cc)	
PRESSURE	165 bar	
FLOW	64 lpm	
WIRE ROPE DIA	11 mm	
LAYER	LINE PULL (kg)	LINE SPEED (mpm)
1	2,270	27
2	2,040	30
3	1,860	33
4	1,705	36
5	1,575	39
6	1,460	42
7*	1,365	45
8*	1,280	48

* Layer does not meet ANSI B30.7

BG6B-07149-01H**

** Requires Braden Engineering application approval

MOTOR	149 (14.9 cu in.)	
PRESSURE	2,430 psi	
FLOW	20 gpm	
WIRE ROPE DIA	7/16 in.	
LAYER	LINE PULL (lb)	LINE SPEED (fpm)
1	7,000	79
2	6,310	88
3	5,740	97
4*	5,260	106

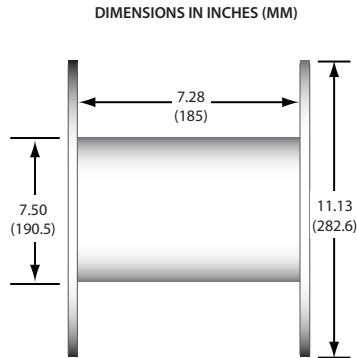
* Layer does not meet ANSI B30.7

MOTOR	149 (244 cc)	
PRESSURE	167 bar	
FLOW	76 lpm	
WIRE ROPE DIA	11 mm	
LAYER	LINE PULL (kg)	LINE SPEED (mpm)
1	3,180	24
2	2,870	27
3	2,610	30
4*	2,390	32

* Layer does not meet ANSI B30.7

Drum Capacity

-01 DRUM



D/d RATIO IS BASED ON PITCH DIAMETER OF WIRE ROPE AT FIRST LAYER

WIRE ROPE STORAGE, ft

WIRE ROPE DIA	LAYER	1	2	3	4	5	6	7	D/d
1/4 in.		59	122	189	260	334	412*	494*	31:1
3/8 in.		40	84	132	183	-	-	-	21:1
7/16 in.		35	73	115	161*	-	-	-	18:1

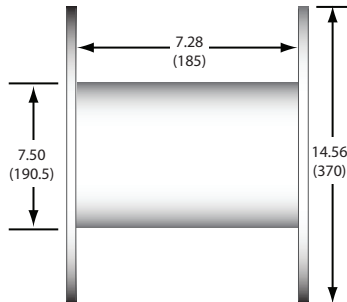
* Layer does not meet ANSI B30.7

WIRE ROPE STORAGE, m

WIRE ROPE DIA	LAYER	1	2	3	4	5	6	7	D/d
6 mm		18	37	58	79	102	126*	151*	31:1
10 mm		12	26	40	56	-	-	-	21:1
11 mm		11	22	35	49*	-	-	-	18:1

* Layer does not meet ANSI B30.7

-02 DRUM



DIMENSIONS IN INCHES (MM)

D/d RATIO IS BASED ON PITCH DIAMETER OF WIRE ROPE AT FIRST LAYER

WIRE ROPE STORAGE, ft

WIRE ROPE DIA	LAYER	1	2	3	4	5	6	7	8	9	10	11	12	13	14	D/d
1/4 in.		59	122	189	260	334	412	494	580	670	763	860	961	1066*	1175*	31:1
3/8 in.		40	84	132	183	238	297	360	427	498*	-	-	-	-	-	19:1
7/16 in.		35	73	115	161	211	265	322	383*	-	-	-	-	-	-	18:1

* Layer does not meet ANSI B30.7

WIRE ROPE STORAGE, m

WIRE ROPE DIA	LAYER	1	2	3	4	5	6	7	8	9	10	11	12	13	14	D/d
6 mm		18	37	58	79	102	126	151	177	204	233	262	293	325*	358*	31:1
10 mm		12	26	40	56	73	91	110	130	152*	-	-	-	-	-	19:1
11 mm		11	22	35	49	64	81	98	117*	-	-	-	-	-	-	18:1

* Layer does not meet ANSI B30.7

BG6B PLANETARY HOIST

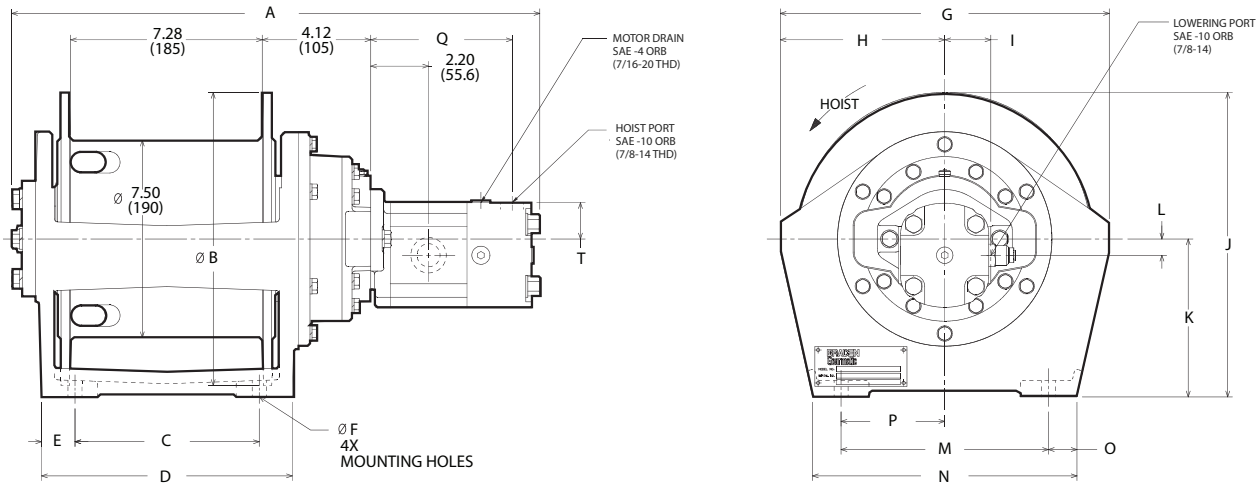
6,000 lb (2,720 kg)



Dimensions

BG6B-67013-01 shown

DIMENSIONS IN INCHES (MM)



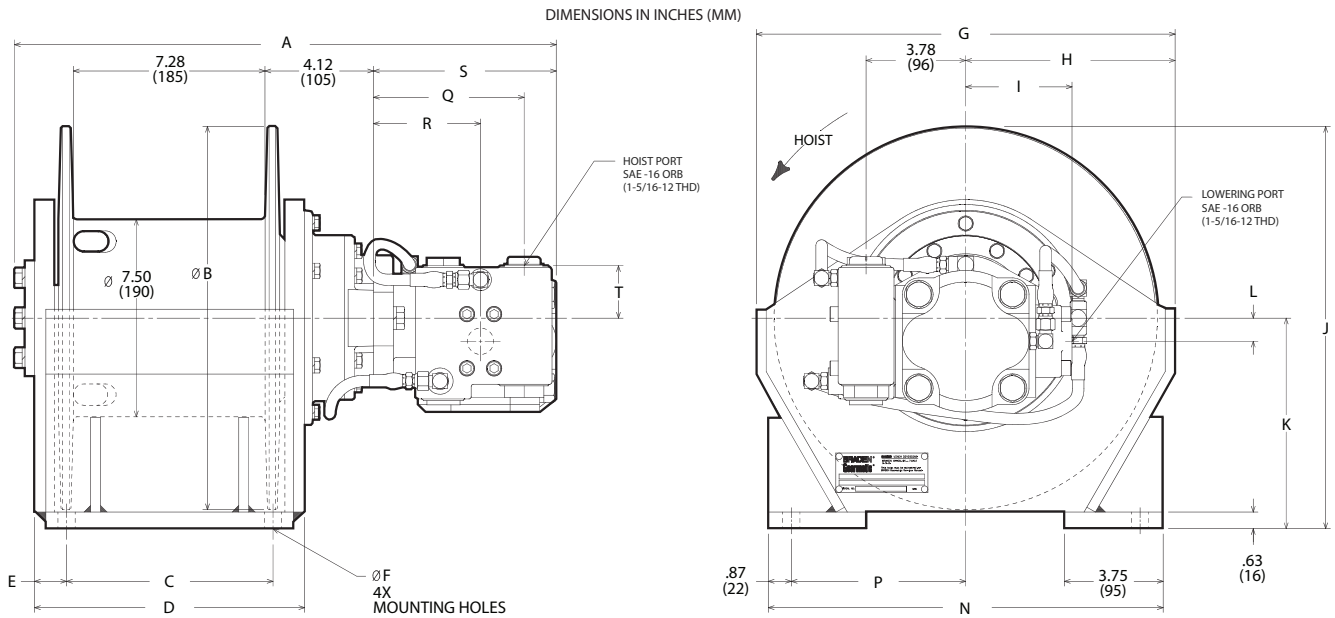
DIMENSIONS IN INCHES (MM)

MOTOR DISP. cu in. (cc)	DRUM SIZE	A	B	C	D	E	F	G	H	I	J	K	L	M
1.28 (21)	- 01	20.06 (509)	11.13 (283)	7.00 (178)	9.52 (242)	1.27 (32)	.53 (13)	12.50 (317)	6.25 (159)	1.75 (44)	11.57 (294)	6.00 (152)	.62 (16)	7.88 (200)
1.28 (21)	- 02	20.06 (509)	14.56 (370)	7.84 (199)	10.14 (257)	1.16 (29)	.656 (17)	15.91 (404)	7.95 (202)	1.75 (44)	15.28 (388)	8.00 (203)	.62 (16)	—
2.94 (48)*	- 01	20.58 (523)	11.13 (283)	6.38 (162)	9.52 (242)	1.57 (40)	.59 (15)	12.50 (317)	6.25 (159)	4.04 (103)	11.57 (294)	6.00 (152)	.88 (22)	7.88 (200)
2.94 (48)*	- 02	20.58 (523)	14.56 (370)	7.84 (199)	10.26 (261)	1.22 (31)	.656 (17)	15.91 (404)	7.95 (202)	4.04 (103)	15.28 (388)	8.00 (203)	.88 (22)	—
3.92 (64)*	- 01	21.01 (534)	11.13 (283)	6.38 (162)	9.52 (242)	1.27 (32)	.59 (15)	12.50 (317)	6.25 (159)	4.04 (103)	11.57 (294)	6.00 (152)	.88 (22)	7.88 (200)
11.9 (195)*	- 01	20.76 (527)	11.13 (283)	6.38 (162)	9.52 (242)	1.57 (40)	.59 (15)	12.50 (317)	6.25 (159)	—	11.57 (294)	6.00 (152)	—	7.88 (200)
14.9 (244)	- 01H**	20.54 (522)	11.13 (283)	6.38 (162)	9.52 (242)	1.57 (40)	.59 (15)	12.50 (317)	6.25 (159)	—	11.57 (294)	6.00 (152)	—	7.88 (200)

* API options available with this motor configuration

Dimensions

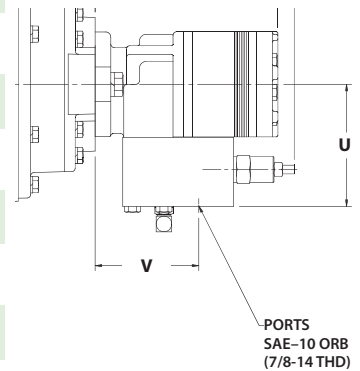
BG6B-29029-02 shown



DIMENSIONS IN INCHES (MM)

MOTOR DISP. cu in. (cc)	DRUM SIZE	N	O	P	Q	R	S	T	U	V
1.28 (21)	-01	10.05 (255)	1.09 (28)	3.94 (100)	5.37 (136)	2.20 (56)	—	1.38 (35)	—	—
1.28 (21)	-02	15.00 (381)	—	6.63 (168)	5.37 (136)	2.20 (56)	—	1.38 (35)	—	—
2.94 (48)*	-01	10.05 (255)	1.09 (28)	3.94 (100)	5.72 (145)	4.07 (103)	6.94 (176)	1.99 (50)	—	—
2.94 (48)*	-02	15.00 (381)	—	6.63 (168)	5.72 (145)	4.07 (103)	6.94 (176)	1.99 (50)	—	—
3.92 (64)*	-01	10.05 (255)	1.09 (28)	3.94 (100)	5.97 (152)	4.32 (110)	7.44 (189)	1.99 (50)	—	—
11.9 (195)*	-01	10.05 (255)	1.09 (28)	3.94 (100)	—	—	6.54 (166)	—	4.37 (110)	3.71 (94)
14.9 (244)	-01H**	10.05 (255)	1.09 (28)	3.94 (100)	—	—	6.74 (171)	—	4.23 (107)	3.47 (88)

BG6B-07119-01
BG6B-07149-01H



* API options available with this motor configuration

BG6B PLANETARY HOIST
6,000 lb (2,720 kg)

BRADEN[®]