

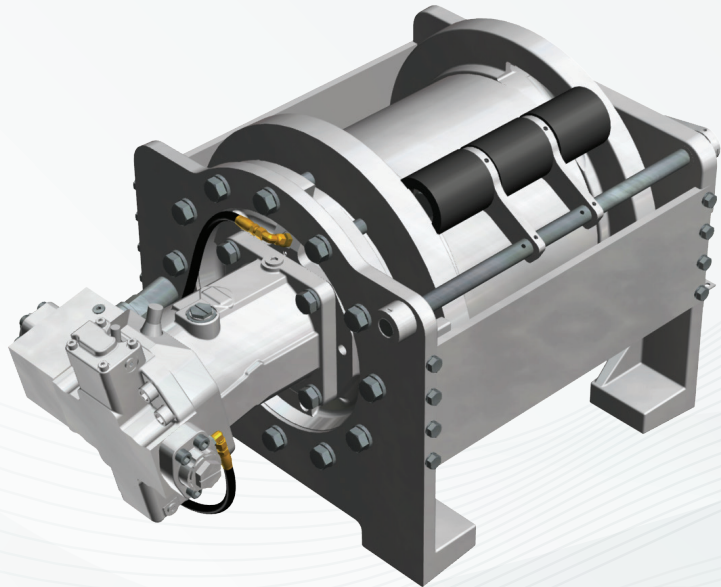
# RW300A Drilling Rig Winch

40,000 lb (18,144 kg) Rated Line Pull

**BRADEN**<sup>®</sup>  
A PACCAR COMPANY

## Features & Benefits

- Robust design for optimal performance in heavy duty drilling applications
- Variable piston motor for maximum speed under every load condition
- Stepped tension roller with last wrap indication
- Looping (recirculation) valve allows winch to follow the speed of the drillhead
- Optional guard to prevent rope from "jumping" over drum flange



<b>Gear Ratio</b>	69:1
<b>Approx. Unit Weight</b>	1,390 lb (630 kg)
<b>Motors</b>	9.8 CID Low Speed / 5.7 CID High Speed
<b>Drum Size</b>	15.25" (387 mm) Barrel x 20" (508 mm) Flange x 13.5" (343 mm) Between Flanges
<b>Rope Diameters</b>	7/8" (22 mm)
<b>Cable Management Options</b>	Tension Roller Flange Guard



## Applications

- Drilling

# RW300A Drilling Rig Winch

40,000 lb (18,144 kg) Rated Line Pull



## Performance

### RW300A 69U098/057-01-LOW SPEED

	Layer 1	Layer 2
<b>Line Pull*</b>	40,000 lb (18,144 kg)	36,080 lb (16,366 kg)
<b>Line Speed*</b>	126 fpm (38.6 mpm)	140 fpm (42.8 mpm)
<b>Drum Capacity</b>	58 ft (17.7 m)	122 ft (37.2 m)

\*Based on pressure of 4,000 psi (276 bar), 90 gpm (341 lpm), 7/8" (22 mm) rope and 9.8 CID motor. Actual performance will vary dependent on hydraulic system, motor, drum and cable sizes.

### RW300A 69U098/057-01-HIGH SPEED

	Layer 1	Layer 2
<b>Line Pull*</b>	19,700 lb (8,936 kg)	17,770 lb (8,060 kg)
<b>Line Speed*</b>	215 fpm (65.7 mpm)	239 fpm (72.8 mpm)
<b>Drum Capacity</b>	58 ft (17.7 m)	122 ft (37.2 m)

\*Based on pressure of 4,000 psi (276 bar), 90 gpm (341 lpm), 7/8" (22 mm) rope and 5.7 CID motor. Actual performance will vary dependent on hydraulic system, motor, drum and cable sizes.

## Dimensions

(RW300A 69U098/057-01 shown. Additional technical information available at [www.paccarwinch.com](http://www.paccarwinch.com).)

