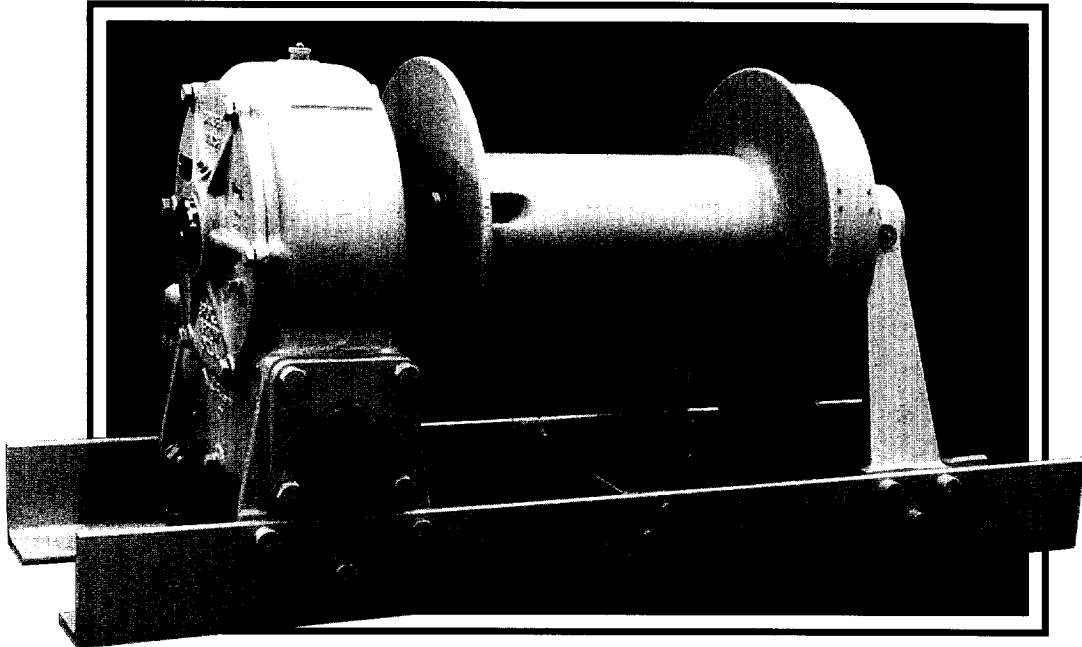


# BRADEN

MODEL MS30/HS30P

## MECHANICAL OR HYDRAULICALLY DRIVEN WORM GEAR WINCH



**60,000 LBS FIRST LAYER LINE PULL**

- Famous BRADEN adjustable oil-cooled worm brake for optimum load control
- Cable drum band brake controls back-spinning and bird-nesting when clutch is disengaged
- Clutch plate is bolted to cable drum for easy replacement
- Free spool clutch with negative draft jaws for positive engagement
- Sliding clutch is splined to drum shaft to eliminate "key overturn"
- Thrust rings in gear housing handle drum thrust in either direction; reducing component wear when pulling loads at severe angles
- Control rod and lever standard for remote operation of the band brake
- Direct connected single and two speed hydraulic motors optional (requires planetary adapter)
- Increased oil capacity for cooler running gears and longer gear life

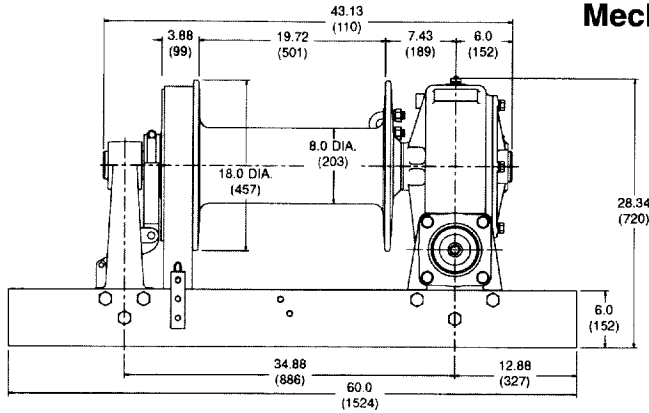
**PACCAR WINCH DIVISIONS**

P.O. BOX 547 • BROKEN ARROW, OK 74013  
PHONE: (918) 251-8511 • FAX: (918) 259-1575  
[www.paccar.com/winch](http://www.paccar.com/winch)

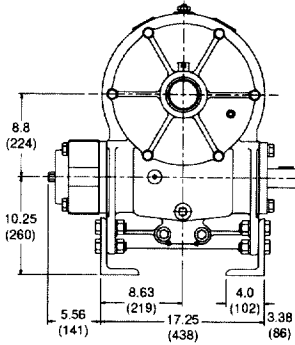
# MODEL MS30/HS30P

## DIMENSIONAL INFORMATION

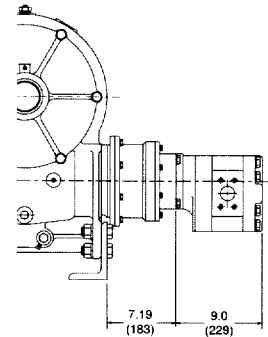
Dimensions shown in inches (mm)



**Mechanical Drive**



**Single Speed Motor**



## MECHANICAL DRIVE

Starting Input Torque (Static) lb-in. ....21,600  
 Input Torque to Operate Winch (Dynamic) lb-in.....16,100  
 Maximum Input rpm @ Rated Load.....220  
 Worm Gear Ratio .....39:1  
 Input Shaft Diameter (in.).....2

LAYER	LINE PULL (lbs)	LINE SPEED (fpm)	7/8 in. WIRE ROPE CAPACITY* (ft)
1	60,000	13	47
2	50,100	15	104
3	43,000	18	170
4	37,700	20	246
5	33,500	23	331

## HYDRAULIC DRIVE

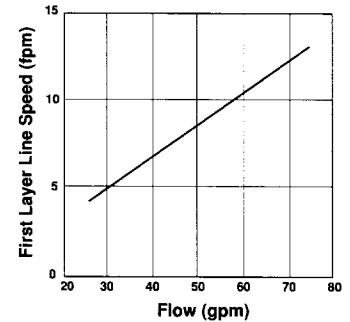
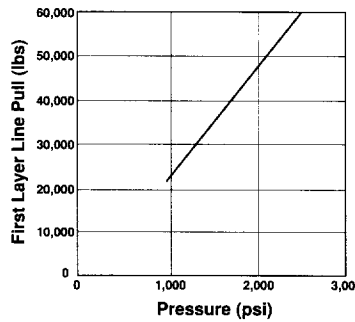
Hydraulically driven MS30 winches are available with a 7.75:1 planetary adapter and Commercial Shearing motors.

### Single Speed Motor (9.03 cu in.)

2,500 psi @ 75 gpm (1,650 psi dynamic)  
 60,000 lbs first layer line pull  
 13 fpm first layer line speed

### Two Speed Motor (12.8/6.4 cu in.)

(Optional - Consult factory for details)



## ACCUMULATIVE WIRE ROPE CAPACITY\* (ft)

Line pulls are maximum ratings for the winch only and are shown for comparison purposes. Consult the wire rope manufacturer's ratings for the rope to be used.

WIRE ROPE SIZE (in.)	LAYER				
	1	2	3	4	5
7/8	47	104	170	246	331
1	42	93	154	224	304
1 1/8	38	85	142	208	

\* Wire rope capacities are 90% of theoretical

## UNIT WEIGHTS

MS30 1200 LBS  
 PLANETARY ADAPTER AND SINGLE-SPEED MOTOR ADD 155 LBS

### WARNING

Winches described herein are neither designed nor intended for use or application to equipment used in the lifting or moving of persons.

A minimum of 5 wraps of cable must be left on the drum to prevent the load from being supported by the cable anchor alone. Since the cable anchor is not designed to hold the rated load, failure to do so could cause loss of load control, which could result in property damage, personal injury or death.

SPECIFICATIONS ARE SUBJECT TO CHANGE WITHOUT NOTICE AND WITHOUT INCURRING OBLIGATION.