

# TD Series

Planetary Track Drives

# Gearmatic®

A PACCAR COMPANY



## Features & Benefits

- Compact, space-saving planetary gearbox design
- Robust main bearing system with high load carrying capacity
- Spring loaded, hydraulically released multi-disk parking brake
- Sealed design prevents moisture and dirt from infiltrating the drive
- Designed for direct mounting of hydraulic motors

TD Series hydrostatic track drives are the ideal components for tracked vehicles used in industrial applications. Built for outstanding performance and reliability, the heavy-duty TD Series is available in a wide range of sizes designed for easy installation, minimal maintenance and universal fitment. The compact design is perfect for space-critical mounting configurations while increasing the overall efficiency of the undercarriage.



## Applications

- Skid Steers
- Crawlers and Dozers
- Excavators
- Cranes

## Brake

- $T_{Br}$  (braking torque) =  $1.1 \cdot T_1$  (input torque)
- Brake interface M12x1.5
- Parking brake cannot be used for deceleration braking
- Braking torque is set according to specific application needs
- Maximum brake pressure release is 725 psi (50 bar)

## Speed

- Most common gear ratios are listed (any speed ratio not shown can be engineered to specific needs)
- Allowable output speed will vary with actual working conditions

## Output Torque

- In order to select the correct drive, corrected output torque ( $T_{2K}$ ) should be calculated by multiplying the output torque ( $T_2$ ) by the actual working level coefficient ( $K$ ) of the mechanism ( $T_{2K} = T_2 \cdot K$ )
- Select  $K$  from the table below ( $T_{2K}$  must be less than the maximum drive torque rating):

Load Spectrum Classes	Work Grade Coefficient K						
<b>L1</b> (avg. load up to 12.5% of maximum)	M1 0.90	M2 0.90	M3 0.90	M4 0.90	M5 0.95	M6 1.05	M7 1.2
<b>L2</b> (avg. load from 12.5% to 25% of maximum)	M2 0.90	M3 0.95	M4 0.95	M5 1	M6 1.15	M7 1.3	M8 1.5
<b>L3</b> (avg. load from 25% to 50% of maximum)	M3 1.05	M4 1.05	M5 1.1	M6 1.25	M7 1.4	M8 1.6	M8 1.8
<b>L4</b> (avg. load from 50% to 100% of maximum)	M4 1.25	M5 1.3	M6 1.45	M7 1.65	M8 1.85	M8 2.1	M8 2.4

*Level of work and utilization of institutions (by FEM, part 1, 3rd Edition, 1987)*

# TD17B Track Drive

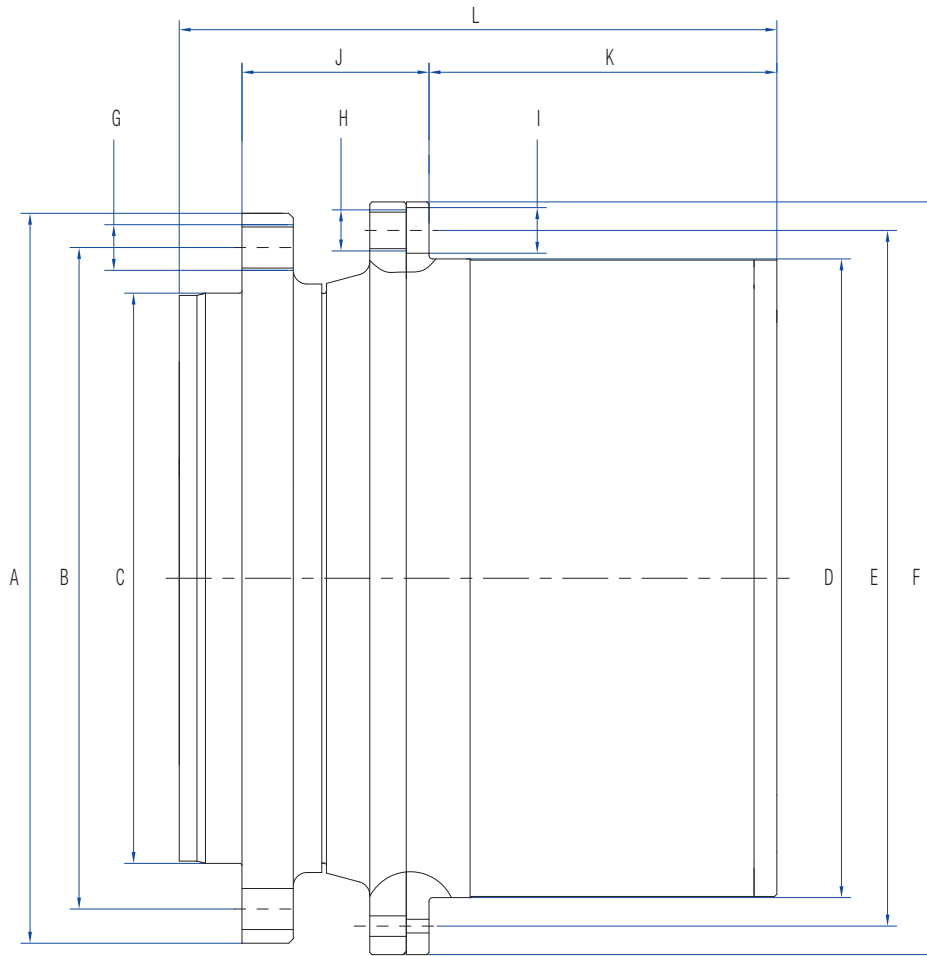
17,000 Nm (12,539 lb-ft)

# Gearmatic®

A PACCAR COMPANY

<b>Max Torque Output</b>	17,000 Nm (12,539 lb-ft)
<b>Gear Ratios</b>	16.27, 19.9, 22.62, 32.14, 37.57, 45.42, 53.95, 64.24, 77.95, 88.23, 102.62, 112.14, 124.2, 135.71, 150.51, 170.24
<b>Unit Weight (approx.)</b>	209 lb (95 kg)
<b>Hydraulic Motor</b>	ISO and SAE mounting*

\*Consult factory for additional mounting options.



## Dimensions

ØA	ØB	ØC h8	ØD h8	ØE	ØF	G	H	I	J	K	L
12.6" (320 mm)	11.42" (290 mm)	9.84" (250 mm)	11.02" (280 mm)	12.01" (305 mm)	12.99" (330 mm)	16xM20	16xM16	16xM18	3.23" (82 mm)	6.02" (153 mm)	10.31" (262 mm)

# TD24B Track Drive

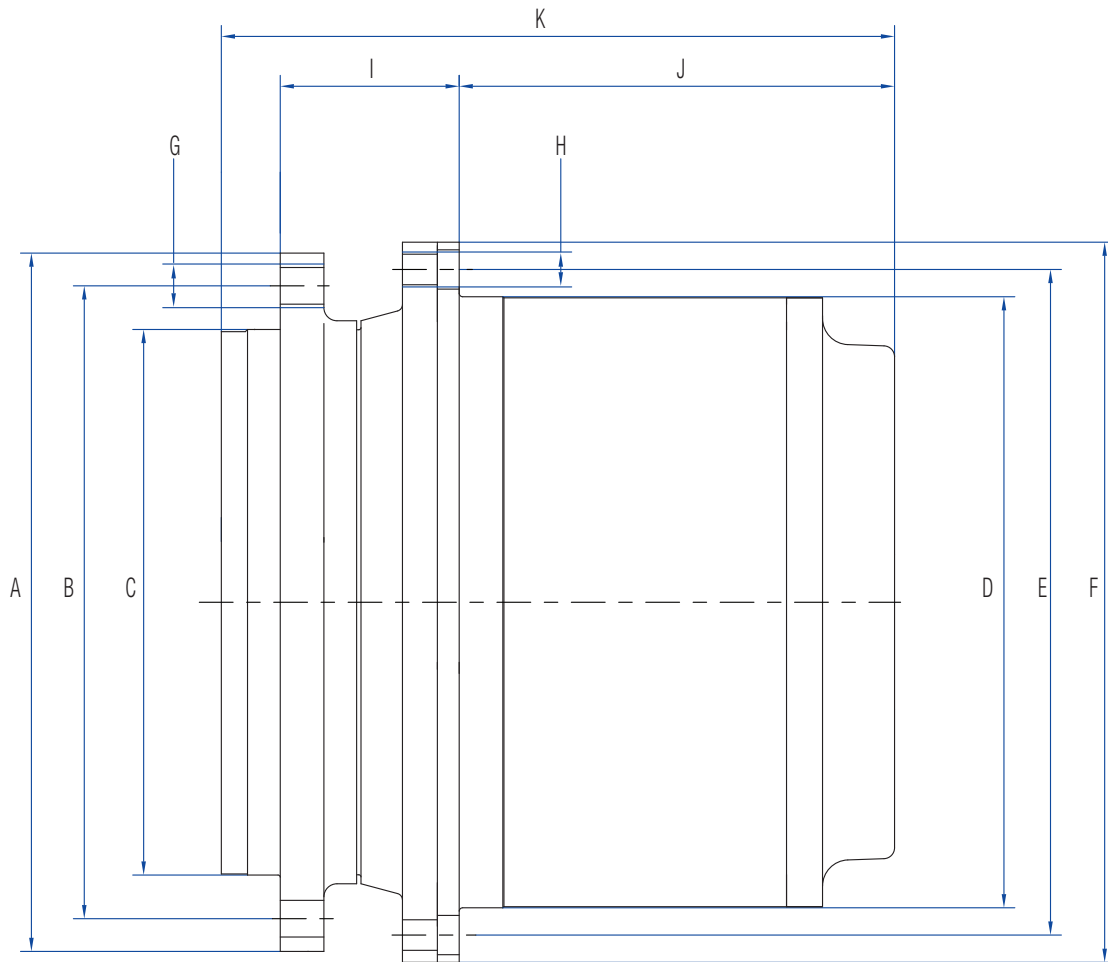
24,000 Nm (17,701 lb-ft)

# Gearmatic®

A PACCAR COMPANY

<b>Max Torque Output</b>	24,000 Nm (17,701 lb-ft)
<b>Gear Ratios</b>	36.97, 44.7, 90.13, 102.6, 116.9, 120.5, 137.2, 169.86, 173.7, 193.3, 209.3, 221.1
<b>Unit Weight (approx.)</b>	231 lb (105 kg)
<b>Hydraulic Motor</b>	ISO and SAE mounting*

\*Consult factory for additional mounting options.



## Dimensions

ØA	ØB	ØC h8	ØD h8	ØE	ØF	G	H	I	J	K
12.6" (320 mm)	11.42" (290 mm)	9.84" (250 mm)	11.02" (280 mm)	12.01" (305 mm)	12.99" (330 mm)	16xM20	20xM16	3.23" (82 mm)	7.87" (200 mm)	12.17" (309 mm)

# TD36B Track Drive

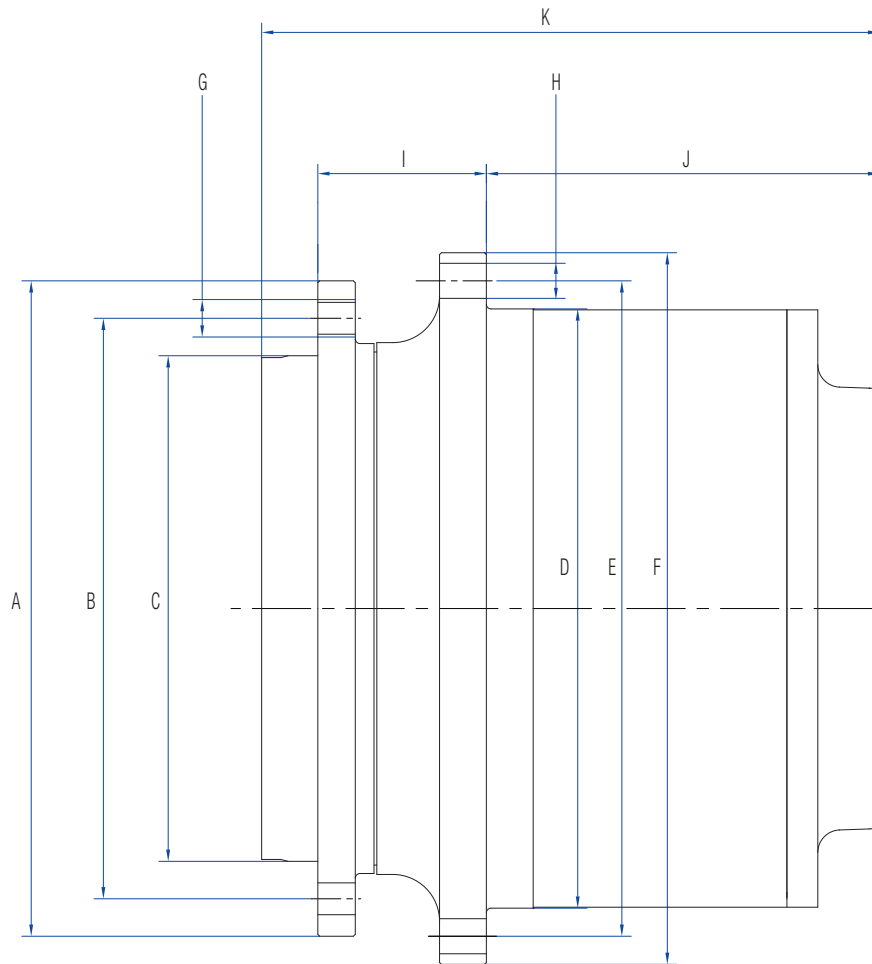
36,000 Nm (26,552 lb-ft)

# Gearmatic®

A PACCAR COMPANY

<b>Max Torque Output</b>	36,000 Nm (26,552 lb-ft)
<b>Gear Ratios</b>	32.57, 38.43, 47.21, 66.96, 79.36, 87.78, 100.02, 116.55, 131, 138.82, 161.26, 269
<b>Unit Weight (approx.)</b>	408 lb (185 kg)
<b>Hydraulic Motor</b>	ISO and SAE mounting*

\*Consult factory for additional mounting options.



## Dimensions

ØA	ØB	ØC h8	ØD h8	ØE	ØF	G	H	I	J	K
13.78" (350 mm)	12.2" (310 mm)	10.63" (270 mm)	12.6" (320 mm)	13.78" (350 mm)	14.96" (380 mm)	16xM20	20xM18	3.54" (90 mm)	8.27" (210 mm)	12.99" (330 mm)

# TD50B Track Drive

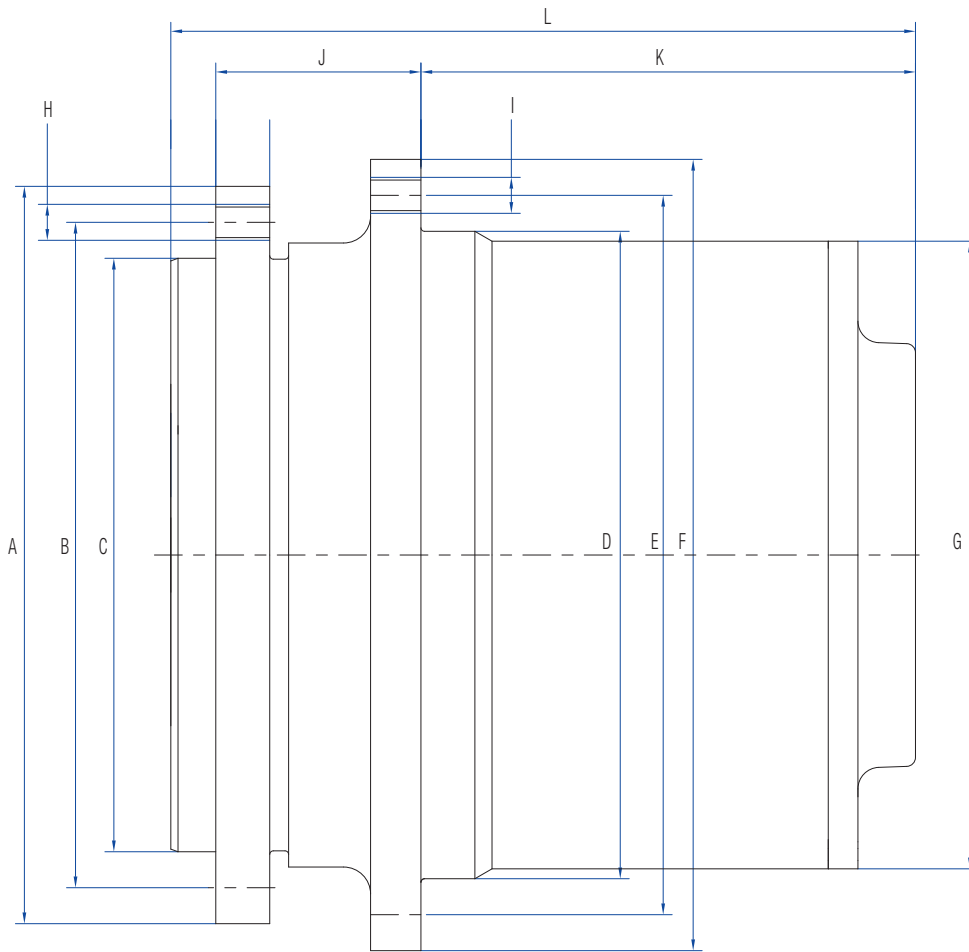
50,000 Nm (36,878 lb-ft)

# Gearmatic®

A PACCAR COMPANY

<b>Max Torque Output</b>	50,000 Nm (36,878 lb-ft)
<b>Gear Ratios</b>	36.8, 45.13, 87.59, 99.75, 110.86, 125.66, 146.39, 155.94, 177.48
<b>Unit Weight (approx.)</b>	551 lb (250 kg)
<b>Hydraulic Motor</b>	ISO and SAE mounting*

\*Consult factory for additional mounting options.



## Dimensions

ØA	ØB	ØC h8	ØD h8	ØE	ØF	ØG	H	I	J	K	L
16.14" (410 mm)	14.57" (370 mm)	12.99" (330 mm)	14.17" (360 mm)	15.75" (400 mm)	17.32" (440 mm)	13.74" (349 mm)	20xM20	16xM20	4.49" (114 mm)	10.83" (275 mm)	16.3" (414 mm)

# TD60B Track Drive

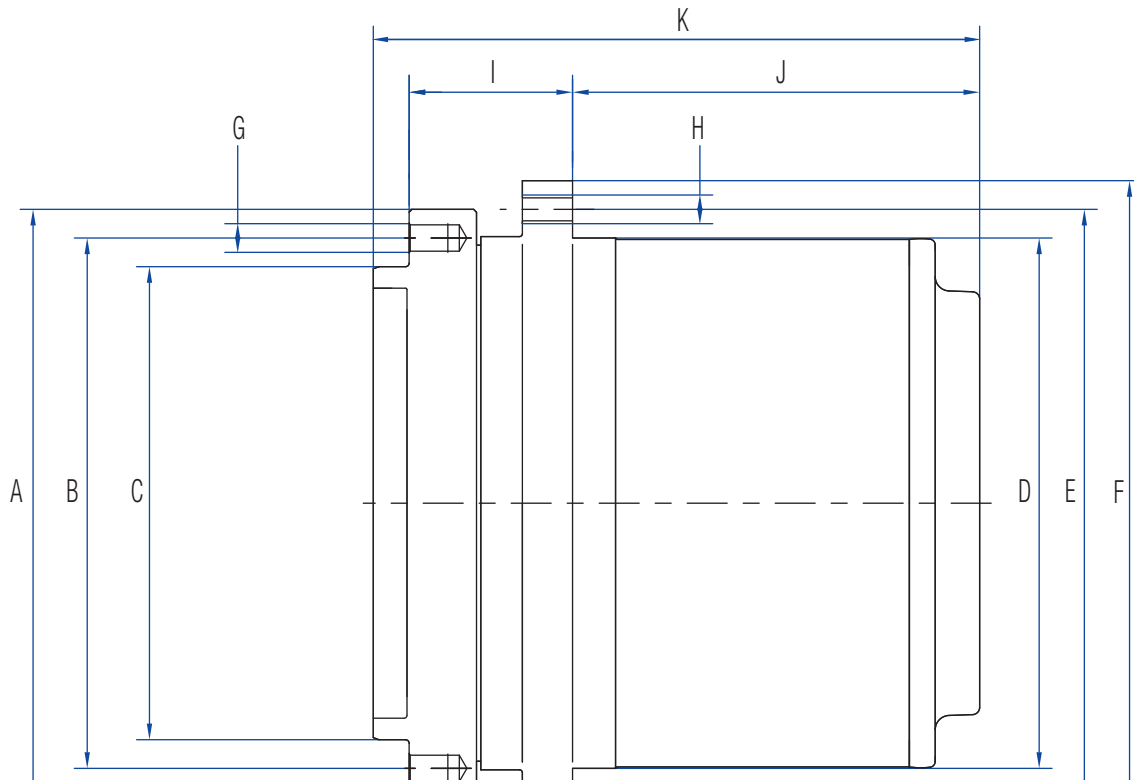
60,000 Nm (44,254 lb-ft)

# Gearmatic®

A PACCAR COMPANY

<b>Max Torque Output</b>	60,000 Nm (44,254 lb-ft)
<b>Gear Ratios</b>	33.03, 39.41, 63.77, 76.55, 86.46, 94.80, 105.53, 111.93, 119.83, 139.86, 150.53, 169.89
<b>Unit Weight (approx.)</b>	573 lb (260 kg)
<b>Hydraulic Motor</b>	ISO and SAE mounting*

\*Consult factory for additional mounting options.



## Dimensions

ØA	ØB	ØC h8	ØD h8	ØE	ØF	G	H	I	J	K
16.14" (410 mm)	14.57" (370 mm)	12.99" (330 mm)	14.57" (370 mm)	16.14" (410 mm)	17.72" (450 mm)	20xM20	20xM20	4.49" (114 mm)	11.18" (284 mm)	16.65" (423 mm)

# TD70B Track Drive

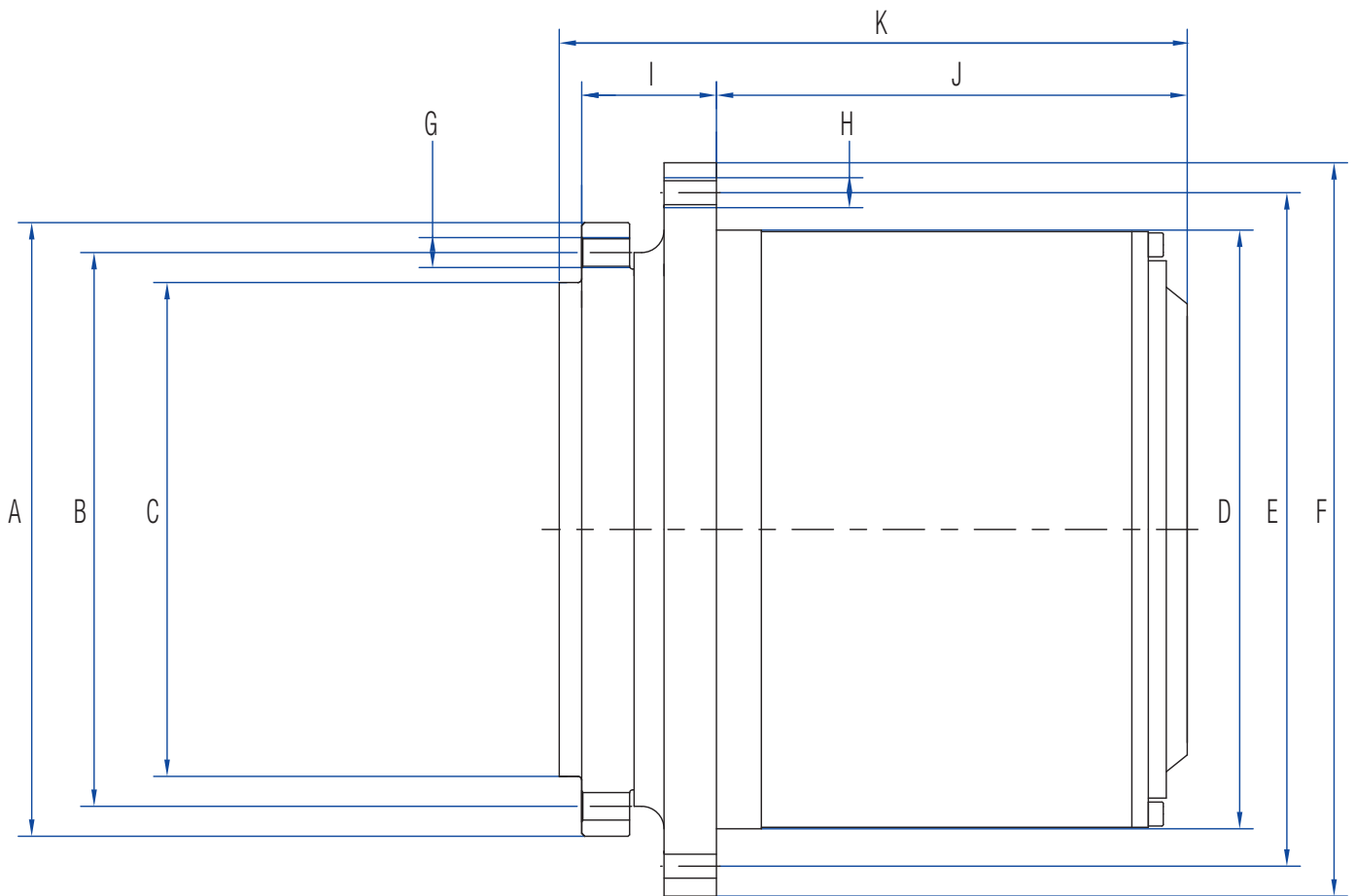
70,000 Nm (51,629 lb-ft)

# Gearmatic®

A PACCAR COMPANY

<b>Max Torque Output</b>	70,000 Nm (51,629 lb-ft)
<b>Gear Ratios</b>	94.8, 106.2, 121.6, 142.2
<b>Unit Weight (approx.)</b>	573 lb (260 kg)
<b>Hydraulic Motor</b>	ISO and SAE mounting*

\*Consult factory for additional mounting options.



## Dimensions

ØA	ØB	ØC h8	ØD h8	ØE	ØF	G	H	I	J	K
16.14" (410 mm)	14.57" (370 mm)	12.99" (330 mm)	15.75" (400 mm)	17.72" (450 mm)	19.29" (490 mm)	20xM20	20xM20	3.54" (90 mm)	12.4" (315 mm)	16.54" (420 mm)



# TD80B Track Drive

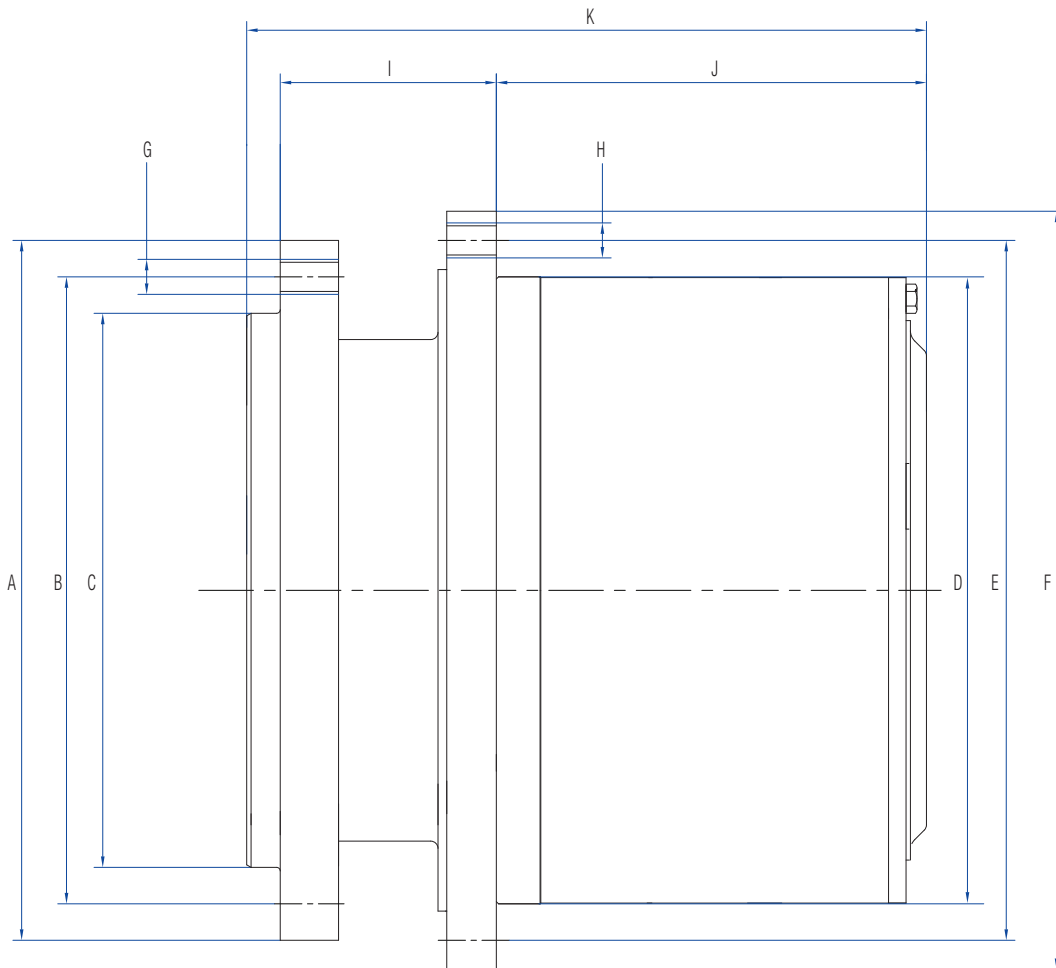
80,000 Nm (59,005 lb-ft)

# Gearmatic®

A PACCAR COMPANY

<b>Max Torque Output</b>	80,000 Nm (59,005 lb-ft)
<b>Gear Ratios</b>	61.28, 76.68, 79.15, 87.64, 98.97, 110.86, 126.94, 149.92, 164.31, 185.43
<b>Unit Weight (approx.)</b>	838 lb (380 kg)
<b>Hydraulic Motor</b>	ISO and SAE mounting*

\*Consult factory for additional mounting options.



## Dimensions

ØA	ØB	ØC h8	ØD h8	ØE	ØF	G	H	I	J	K
18.9" (480 mm)	16.93" (430 mm)	14.96" (380 mm)	16.93" (430 mm)	18.9" (480 mm)	20.47" (520 mm)	20xM24	20xM24	5.83" (148 mm)	11.61" (295 mm)	18.35" (466 mm)

# TD110B Track Drive

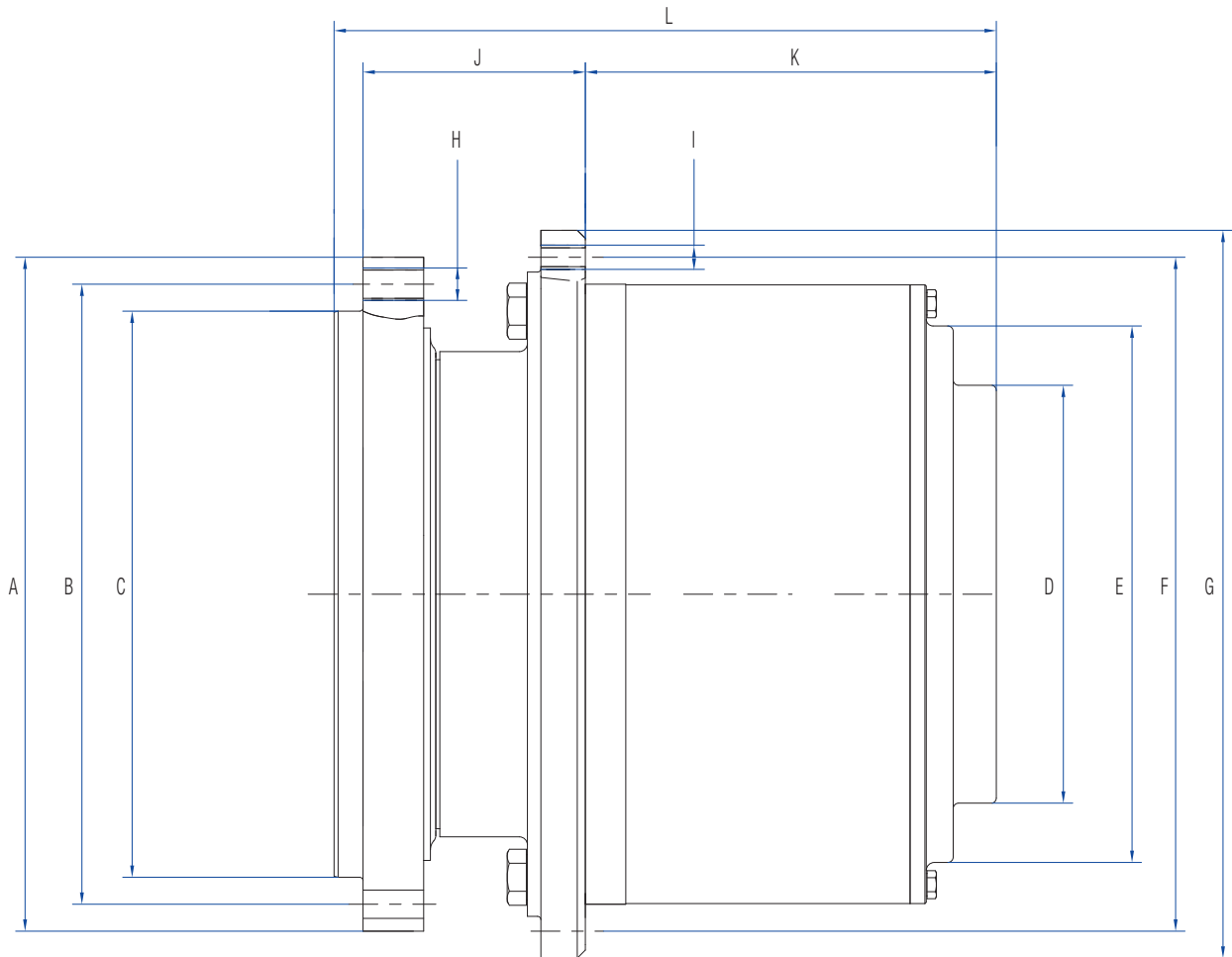
110,000 Nm (81,132 lb-ft)

# Gearmatic®

A PACCAR COMPANY

<b>Max Torque Output</b>	110,000 Nm (81,132 lb-ft)
<b>Gear Ratios</b>	79.5, 87.6, 95.8, 104.2, 114.8, 128.6, 147.2, 164.3, 173.9, 196.8, 215
<b>Unit Weight (approx.)</b>	937 lb (425 kg)
<b>Hydraulic Motor</b>	ISO and SAE mounting*

\*Consult factory for additional mounting options.



## Dimensions

ØA	ØB	ØC h8	ØD	ØE h8	ØF	ØG	H	I	J	K	L
19.69" (500 mm)	18.11" (460 mm)	16.54" (420 mm)	12.2" (310 mm)	15.67" (398 mm)	19.69" (500 mm)	21.26" (540 mm)	24xM24	36xM18	6.5" (165 mm)	12.01" (305 mm)	19.37" (492 mm)

# TD130B Track Drive

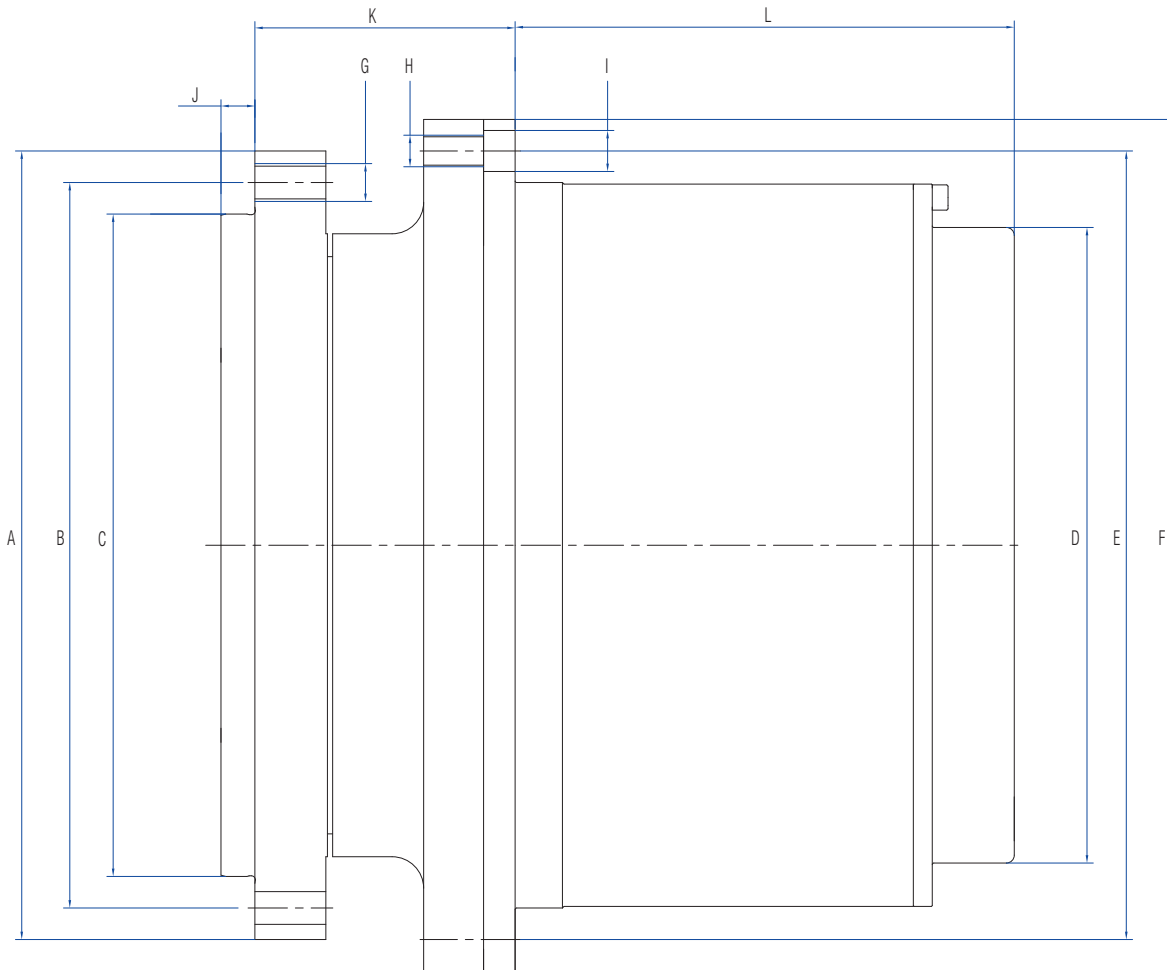
130,000 Nm (95,883 lb-ft)

# Gearmatic®

A PACCAR COMPANY

<b>Max Torque Output</b>	130,000 Nm (95,883 lb-ft)
<b>Gear Ratios</b>	96.2, 104.2, 114.8, 128.6, 185, 215
<b>Unit Weight (approx.)</b>	992 lb (450 kg)
<b>Hydraulic Motor</b>	ISO and SAE mounting*

\*Consult factory for additional mounting options.



## Dimensions

ØA	ØB	ØC h8	ØD h8	ØE	ØF	G	H	I	J	K	L
19.69" (500 mm)	18.11" (460 mm)	16.54" (420 mm)	15.87" (403 mm)	19.69" (500 mm)	21.26" (540 mm)	24xM24	36xM18	36xM22	0.87" (22 mm)	6.5" (165 mm)	12.48" (317 mm)

# TD160B Track Drive

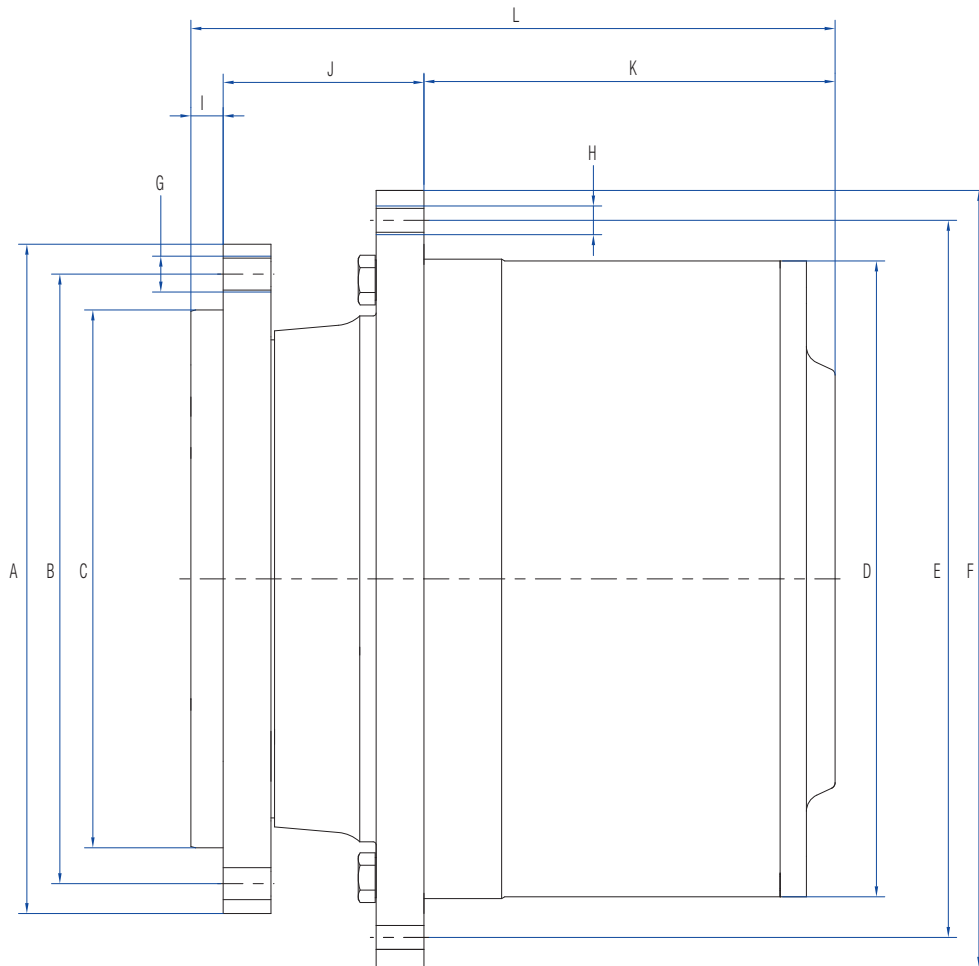
160,000 Nm (118,010 lb-ft)

# Gearmatic®

A PACCAR COMPANY

<b>Max Torque Output</b>	160,000 Nm (118,010 lb-ft)
<b>Gear Ratios</b>	93.7, 101.6, 111.3, 133.1, 162.8, 191.9, 210.8, 251
<b>Unit Weight (approx.)</b>	1,499 lb (680 kg)
<b>Hydraulic Motor</b>	ISO and SAE mounting*

\*Consult factory for additional mounting options.



## Dimensions

ØA	ØB	ØC h8	ØD h8	ØE	ØF	G	H	I	J	K	L
22.05" (560 mm)	20.08" (510 mm)	17.72" (450 mm)	20.94" (532 mm)	23.62" (600 mm)	25.59" (650 mm)	30xM24	30xM24	1.06" (27 mm)	6.61" (168 mm)	13.54" (344 mm)	21.22" (539 mm)

# TD220B Track Drive

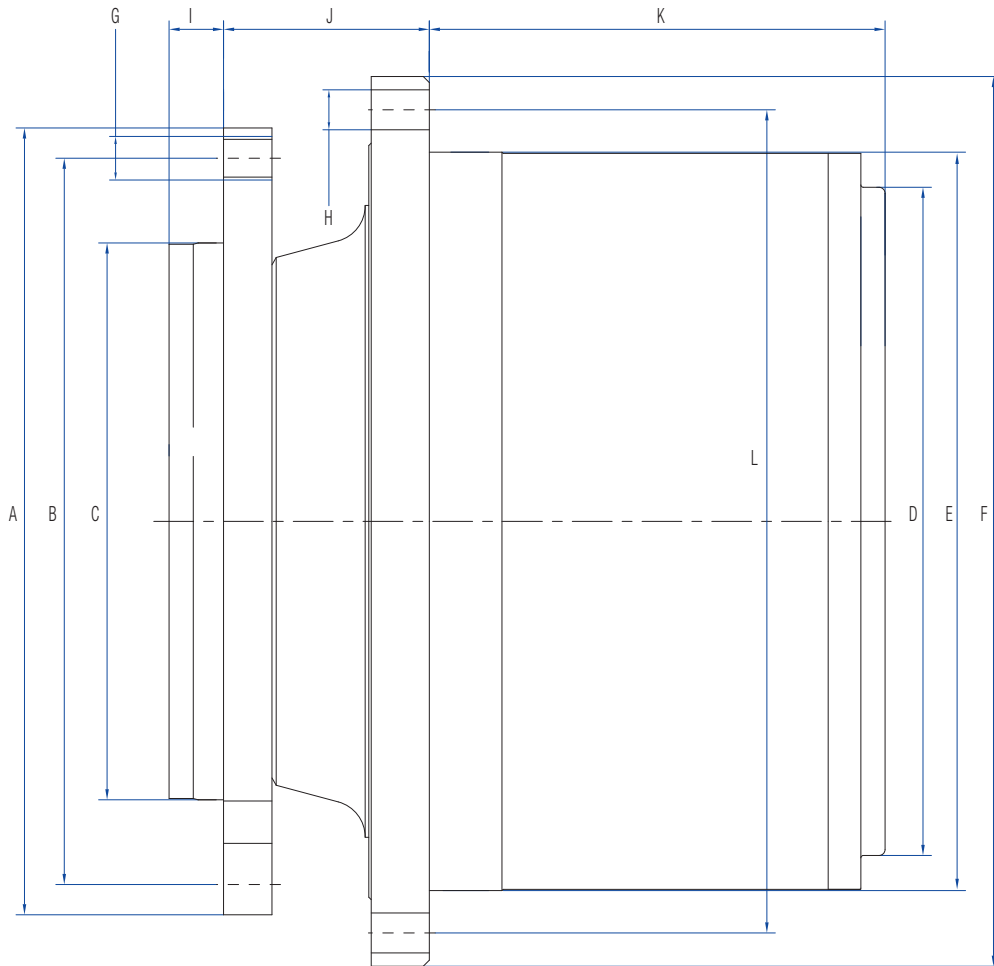
220,000 Nm (162,264 lb-ft)

# Gearmatic®

A PACCAR COMPANY

<b>Max Torque Output</b>	220,000 Nm (162,264 lb-ft)
<b>Gear Ratios</b>	105.92, 116.05, 128.8, 155.4, 213.2, 246.1, 293, 365.5
<b>Unit Weight (approx.)</b>	1,808 lb (820 kg)
<b>Hydraulic Motor</b>	ISO and SAE mounting*

\*Consult factory for additional mounting options.



## Dimensions

ØA	ØB	ØC h8	ØD	ØE h8	ØF	G	H	I	J	K	ØL
25.59" (650 mm)	23.62" (600 mm)	17.72" (460 mm)	21.73" (552 mm)	24.02" (610 mm)	28.94" (735 mm)	30xM30	24xM33	1.77" (45 mm)	6.69" (170 mm)	14.84" (377 mm)	26.77" (680 mm)