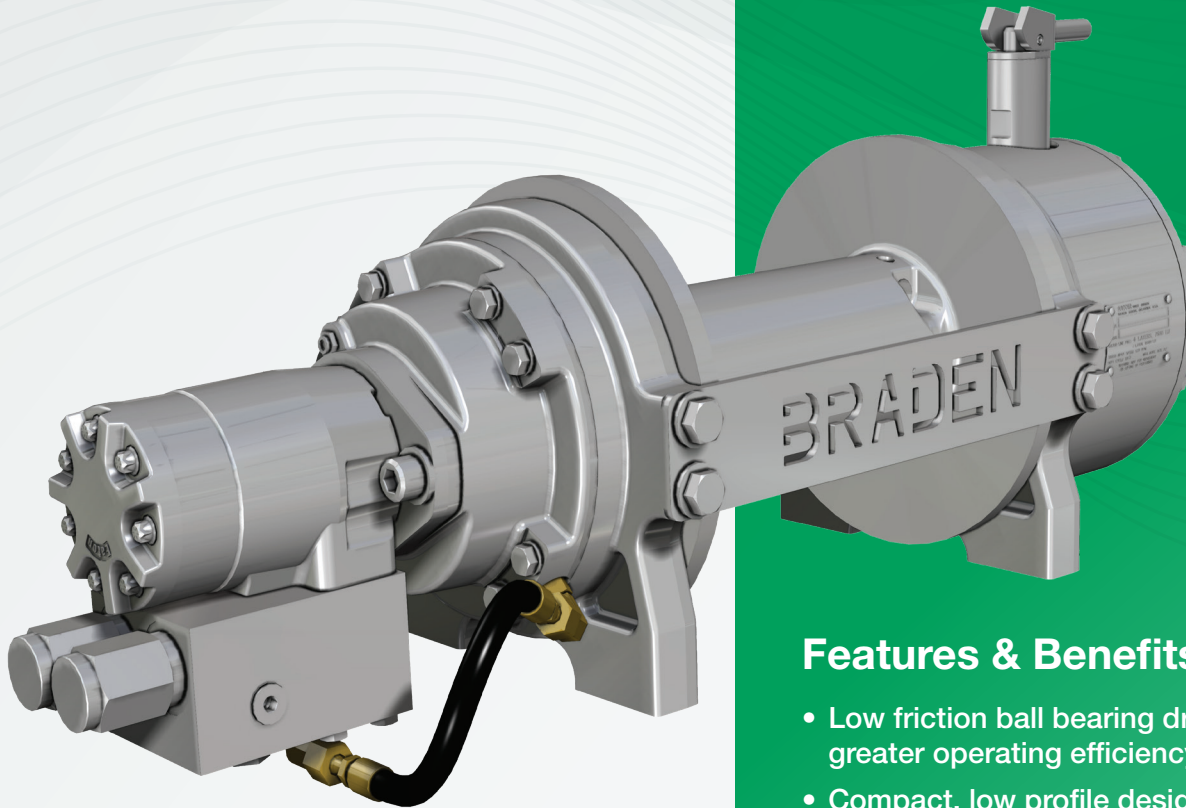


TR Series

TR12 | TR15 | TR20 | TR30

BRADEN[®]

A PACCAR COMPANY



Features & Benefits

- Low friction ball bearing drum for greater operating efficiency
- Compact, low profile design can be mounted upright or low
- Long drum available for TR20 and TR30
- Wear resistant urethane brake seals
- Oil bath lubrication for serviceability and long life
- Manual or air actuated freespool clutch
- SAE J706 compliant
- EN 14492* compliant (optional)

**TR20 and TR30 only*

TR Series planetary winches are designed for stand-alone use on trailers, as well as towing and self-recovery applications. The highly efficient and rugged design of the gear train allows for fast line speeds and continuous winch operation. With versatile mounting options and line pull ratings from 12,000 lb (5,443 kg) to 30,000 lb (13,608 kg), TR Series winches are easily adaptable to multiple applications.



Applications

- Towing & Recovery
- Utility
- Trailer

BRADEN
CARGO
Gearmatic | **PACCAR WINCH**

800 East Dallas | Broken Arrow, OK 74012

www.paccarwinch.com | 918.251.8511

LIT2898_R2_09-2022 (PB) ©2022 PACCAR Inc

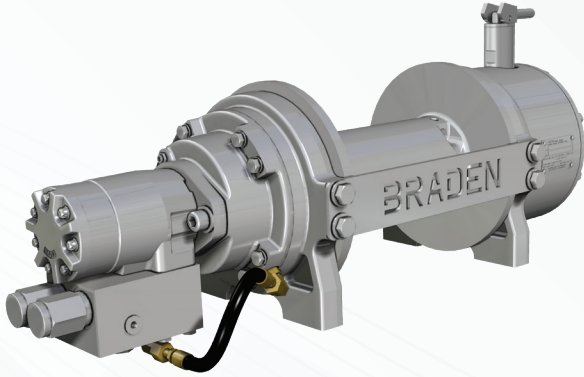


TR12 Recovery Winch

12,000 lb (5,443 kg) Rated Line Pull

BRADEN[®]

A PACCAR COMPANY



Gear Ratio	13:1
Approx. Unit Weight	165 lb (74 kg)
Standard Motor	8.0 CID
Drum Size	4" (101 mm) Barrel x 9" (228 mm) Flange x 9.79" (249 mm) Between Flanges
Rope Diameters (Wire or Synthetic)	7/16" (11 mm), 1/2" (13 mm) <i>Synthetic Rope Anchor (PN 113403) available for -02 drum</i>
D/d Ratio (Wire Rope)	7/16"=9:1, 1/2"=8:1
Drum Freespool	Manual or Air
Cable Management Options	Cable Roller, Tension Plate, Roller Fairlead

Specifications are representative of common configuration. Consult factory for additional options.

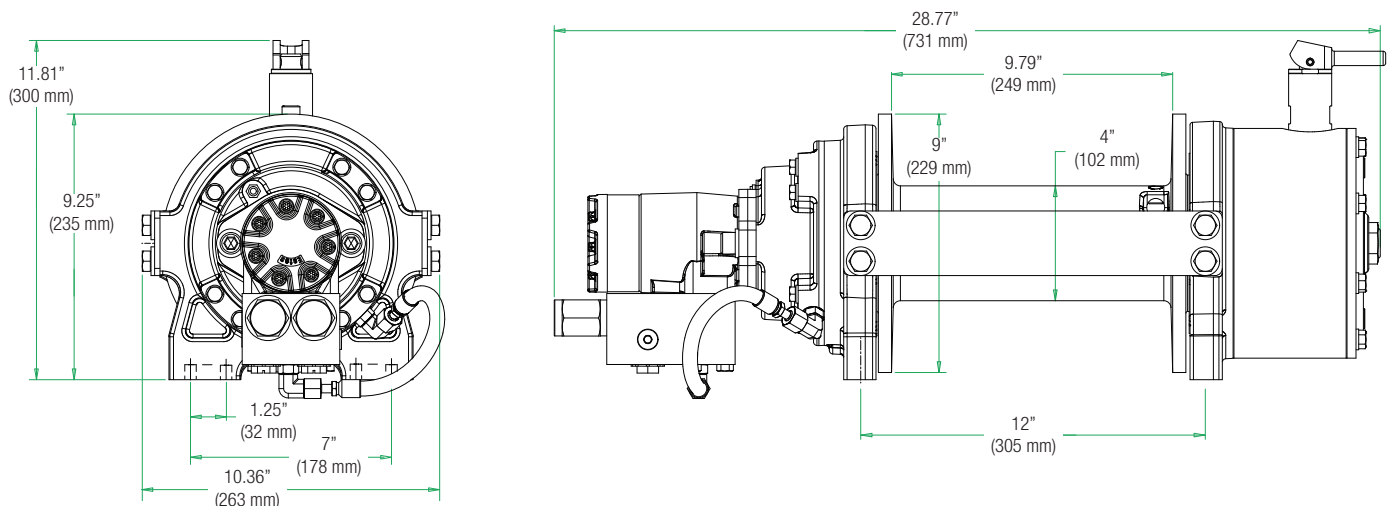
Performance (TR12A-13080-01)

	Layer 1	Layer 2	Layer 3	Layer 4	Layer 5
Line Pull*	12,000 lb (5,443 kg)	10,020 lb (4,545 kg)	8,600 lb (3,900 kg)	7,530 lb (3,415 kg)	6,700 lb (3,039 kg)
Line Speed*	46 fpm (14 mpm)	56 fpm (17.1 mpm)	65 fpm (19.8 mpm)	74 fpm (22.6 mpm)	83 fpm (25.3 mpm)
Drum Capacity					
7/16" (11 mm)	23 ft (7 m)	51 ft (15.5 m)	84 ft (25.6 m)	121 ft (36.9 m)	163 ft (49.7 m)
1/2" (13 mm)	20 ft (6.1 m)	46 ft (14 m)	76 ft (23.2 m)	110 ft (33.5 m)	149 ft (45.4 m)**

*Based on pressure of 2,450 psi (169 bar), 20 gpm (75.8 lpm), 7/16" (11 mm) rope and 8.0 CID motor. Actual performance will vary dependent on hydraulic system, motor, drum and cable sizes.

**Does not meet SAE J706.

Dimensions (TR12A-13080-01 shown. Additional technical information available at www.paccarwinch.com.)

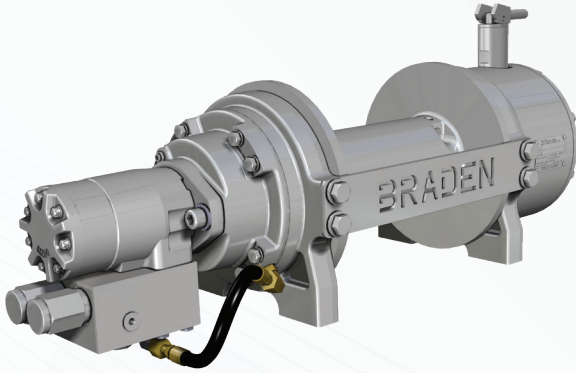


TR15 Recovery Winch

15,000 lb (6,804 kg) Rated Line Pull

BRADEN®

A PACCAR COMPANY



Gear Ratio	13:1
Approx. Unit Weight	165 lb (74 kg)
Standard Motor	9.6 CID
Drum Size	4" (101 mm) Barrel x 9" (228 mm) Flange x 9.79" (249 mm) Between Flanges
Rope Diameters (Wire or Synthetic)	7/16" (11 mm), 1/2" (13 mm) <i>Synthetic Rope Anchor (PN 113403) available for -02 drum</i>
D/d Ratio (Wire Rope)	7/16"=9:1, 1/2"=8:1
Drum Freespool	Manual or Air
Cable Management Options	Cable Roller, Tension Plate, Roller Fairlead

Specifications are representative of common configuration. Consult factory for additional options.

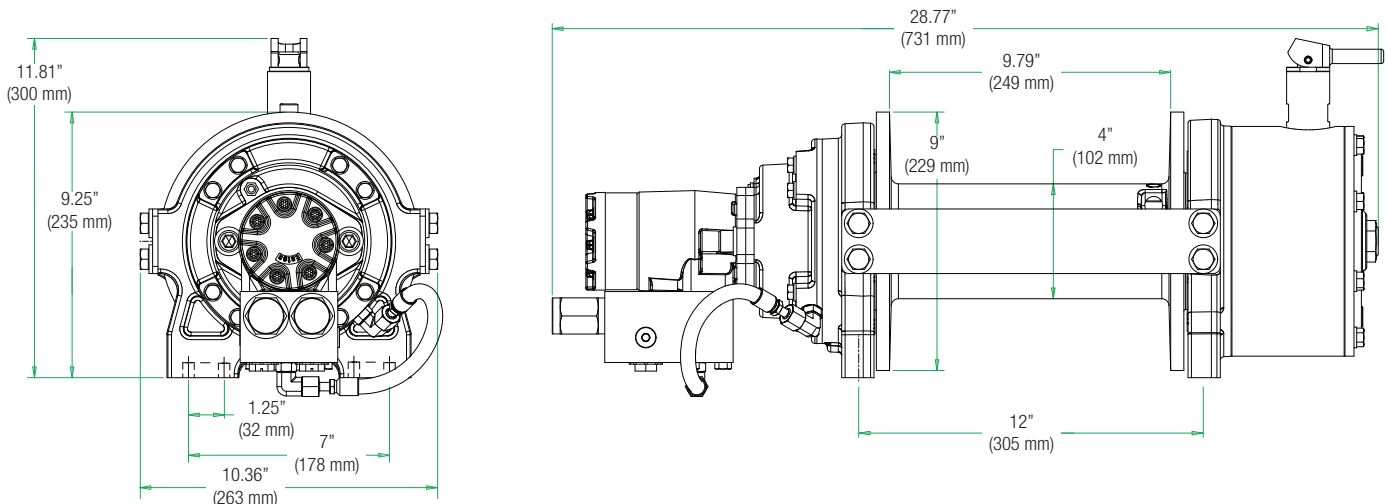
Performance (TR15A-13096-01)

	Layer 1	Layer 2	Layer 3	Layer 4	Layer 5
Line Pull*	15,000 lb (6,804 kg)	12,520 lb (5,678 kg)	10,750 lb (4,876 kg)	9,420 lb (4,272 kg)	8,380 lb (3,801 kg)
Line Speed*	39 fpm (12 mpm)	46 fpm (14 mpm)	54 fpm (16.5 mpm)	62 fpm (18.9 mpm)	69 fpm (21 mpm)
Drum Capacity					
7/16" (11 mm)	23 ft (7 m)	51 ft (15.5 m)	84 ft (25.6 m)	121 ft (36.9 m)	163 ft (49.7 m)
1/2" (13 mm)	20 ft (6.1 m)	46 ft (14 m)	76 ft (23.2 m)	110 ft (33.5 m)	149 ft (45.4 m)**

*Based on pressure of 2,550 psi (178 bar), 20 gpm (75.8 lpm), 7/16" (11 mm) rope and 9.6 CID motor. Actual performance will vary dependent on hydraulic system, motor, drum and cable sizes.

**Does not meet SAE J706.

Dimensions (TR152A-13096-01 shown. Additional technical information available at www.paccarwinch.com.)

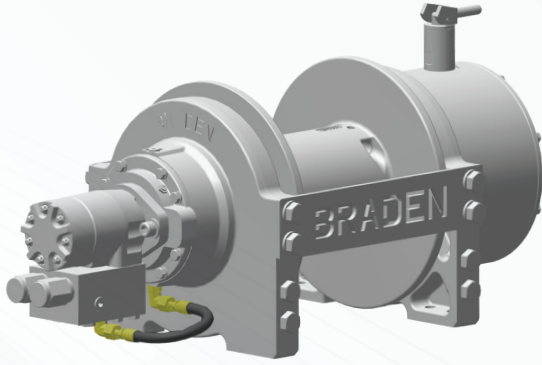


TR20 Recovery Winch

20,000 lb (9,072 kg) Rated Line Pull

BRADEN®

A PACCAR COMPANY



Gear Ratio	28.5:1
Approx. Unit Weight	270 lb (122 kg) Short / 300 lb (136 kg) Long
Standard Motor	8.0 CID
Drum Size	5.75" (146 mm) Barrel x 12.25" (311 mm) Flange x 8.73" (222 mm) Short or 13.75" (349 mm) Long Between Flanges
Rope Diameters (Wire or Synthetic)	1/2" (13 mm), 9/16" (14 mm), 5/8" (16 mm) <i>Synthetic Rope Anchor (PN 113316) available for -02 and -03 drum</i>
D/d Ratio (Wire Rope)	1/2"=11.5:1, 9/16"=10.2:1, 5/8"=9.1:1
Drum Freespool	Manual or Air
Cable Management Options	Cable Roller, Tension Plate, Roller Fairlead

Specifications are representative of common configuration. Consult factory for additional options.

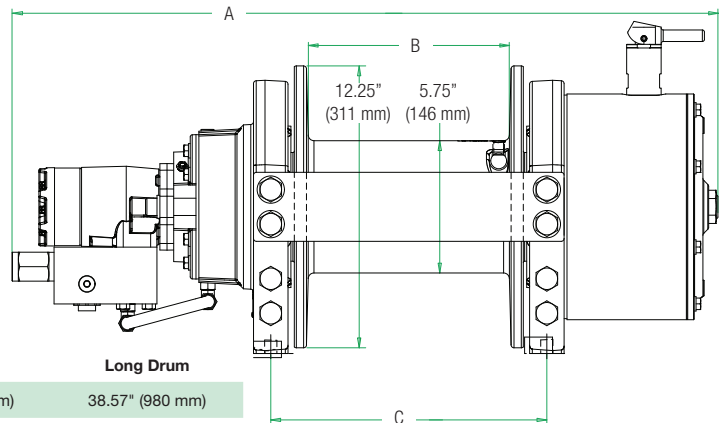
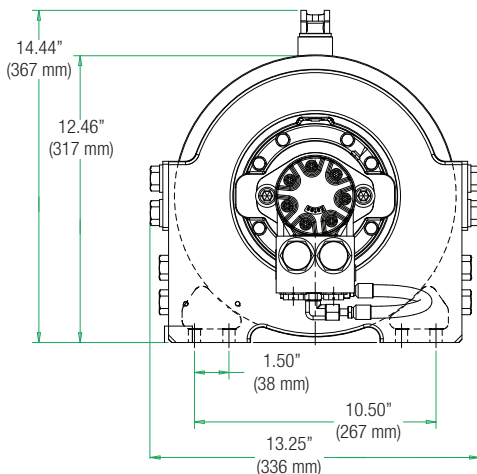
Performance (TR20-29080-01)

	Layer 1	Layer 2	Layer 3	Layer 4	Layer 5	Layer 6
Line Pull*	20,000 lb (9,072 kg)	16,970 lb (7,697 kg)	14,740 lb (6,686 kg)	13,030 lb (5,910 kg)	11,670 lb (5,293 kg)	
Line Speed*	28 fpm (8.7 mpm)	34 fpm (10.2 mpm)	39 fpm (11.8 mpm)	44 fpm (13.3 mpm)	49 fpm (14.9 mpm)	
Short Drum Capacity						
1/2" (13 mm)	25 ft (7.6 m)	55 ft (16.8 m)	89 ft (27.1 m)	127 ft (38.7 m)	169 ft (51.5 m)	215 ft (65.5 m)**
9/16" (14 mm)	23 ft (7 m)	50 ft (15.2 m)	81 ft (24.7 m)	116 ft (35.4 m)	156 ft (47.5 m)	
5/8" (16 mm)	20 ft (6.1 m)	45 ft (13.7 m)	75 ft (22.9 m)	108 ft (32.9 m)	146 ft (44.5 m)**	
Long Drum Capacity						
1/2" (13 mm)	40 ft (12.2 m)	87 ft (26.5 m)	140 ft (42.7 m)	200 ft (61 m)	267 ft (81.4 m)	340 ft (103.6 m)**
9/16" (14 mm)	36 ft (11 m)	79 ft (24.1 m)	128 ft (39 m)	184 ft (56.1 m)	246 ft (75 m)	
5/8" (16 mm)	33 ft (10.1 m)	72 ft (21.9 m)	118 ft (36 m)	171 ft (52.1 m)	230 ft (70.1 m)**	

*Based on pressure of 2,950 psi (203 bar), 20 gpm (75.8 lpm), 9/16" (14 mm) rope and 8.0 CID motor. Actual performance will vary dependent on hydraulic system, motor, drum and cable sizes.

**Does not meet SAE J706.

Dimensions (TR20-29080-01 shown. Additional technical information available at www.paccarwinch.com.)



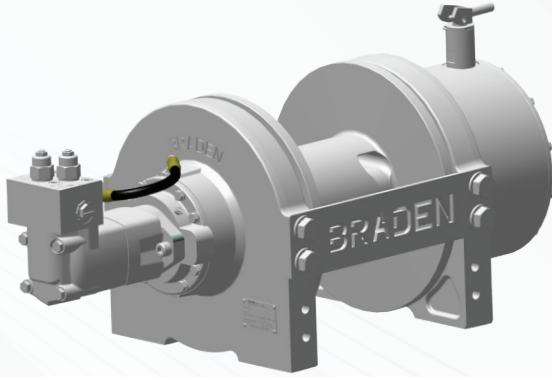
	Short Drum	Long Drum
A	30.68" (779 mm)	38.57" (980 mm)
B	8.73" (222 mm)	13.75" (349 mm)
C	12" (305 mm)	17.25" (438 mm)

TR30 Recovery Winch

30,000 lb (13,608 kg) Rated Line Pull

BRADEN®

A PACCAR COMPANY



Gear Ratio	30.4:1
Approx. Unit Weight	350 lb (158 kg) Short / 380 lb (172 kg) Long
Standard Motor	11.9 CID
Drum Size	5.75" (146 mm) Barrel x 13.3" (338 mm) Flange x 8.5" (215 mm) Short or 13.75" (349 mm) Long Between Flanges
Rope Diameters (Wire or Synthetic)	5/8" (16 mm) <i>Synthetic Rope Anchor (PN 113316) available</i>
D/d Ratio (Wire Rope)	9:1
Drum Freespool	Manual or Air
Cable Management Options	Cable Roller, Tension Plate, Roller Fairlead

Specifications are representative of common configuration. Consult factory for additional options.

Performance (TR30A-30119-01)

	Layer 1	Layer 2	Layer 3	Layer 4	Layer 5	Layer 6
Line Pull*	30,000 lb (13,6082 kg)	25,080 lb (11,376 kg)	21,540 lb (9,770 kg)	18,880 lb (8,564 kg)	16,810 lb (7,625 kg)	15,140 lb (6,867 kg)**
Line Speed*	28 fpm (8.7 mpm)	34 fpm (10.2 mpm)	39 fpm (11.8 mpm)	44 fpm (13.3 mpm)	49 fpm (14.9 mpm)	55 fpm (16.8 mpm)**
Short Drum Capacity 5/8" (16 mm)	20 ft (6.1 m)	44 ft (13.4 m)	73 ft (22.3 m)	105 ft (32 m)	141 ft (43 m)	182 ft (55.5 m)**
Long Drum Capacity 5/8" (16 mm)	33 ft (10.1 m)	72 ft (21.9 m)	118 ft (36 m)	171 ft (52.1 m)	230 ft (70.1 m)	295 ft (89.9 m)**

*Based on pressure of 2,500 psi (172 bar), 30 gpm (113.5 lpm), 5/8" in (16 mm) rope and 11.9 CID motor. Actual performance will vary dependent on hydraulic system, motor, drum and cable sizes.

**Does not meet SAE J706.

Dimensions (TR30A-30119-01 shown. Additional technical information available at www.paccarwinch.com.)

