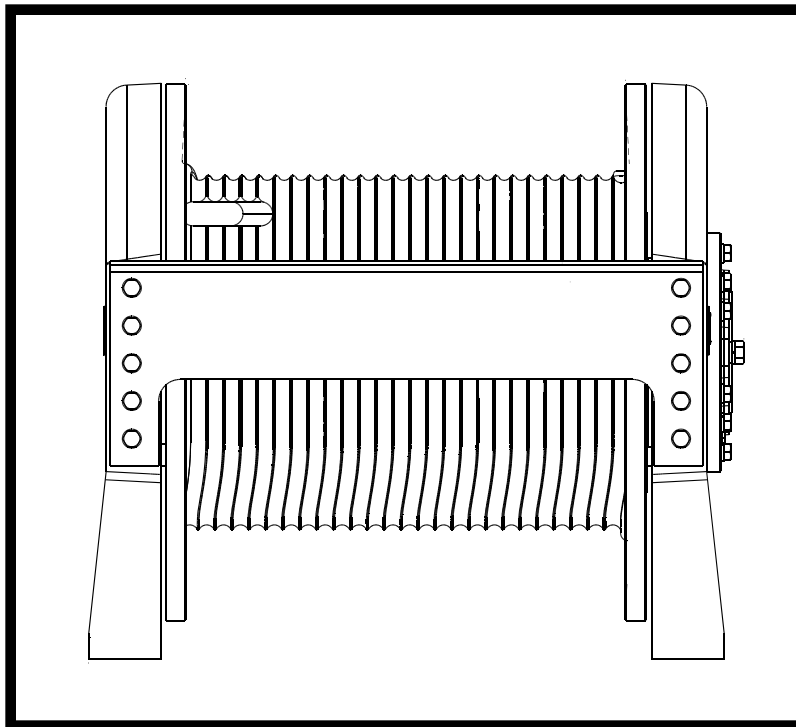


BRADEN

CH210

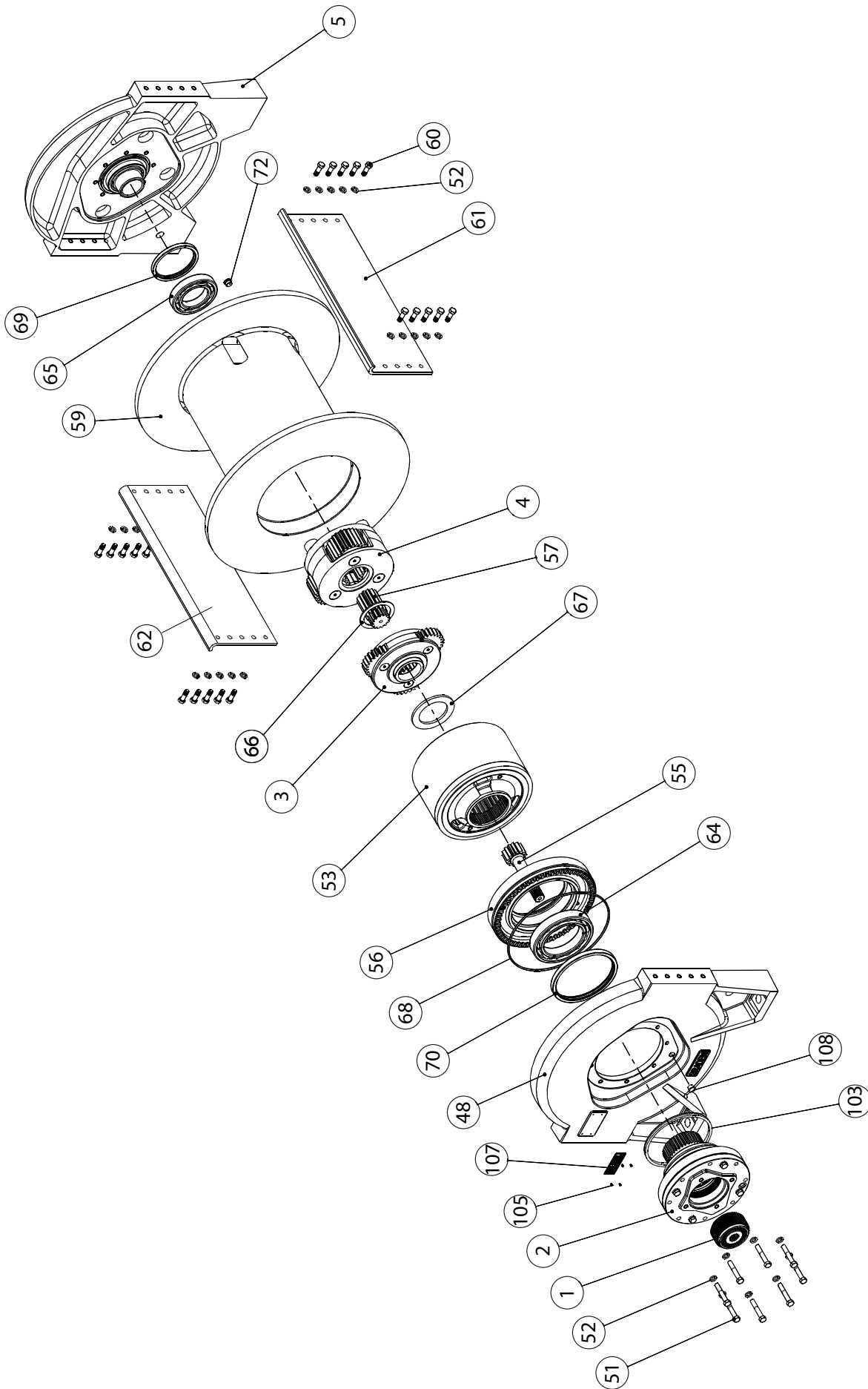
MATERIAL LIST

COVERS PART #05718 ONLY



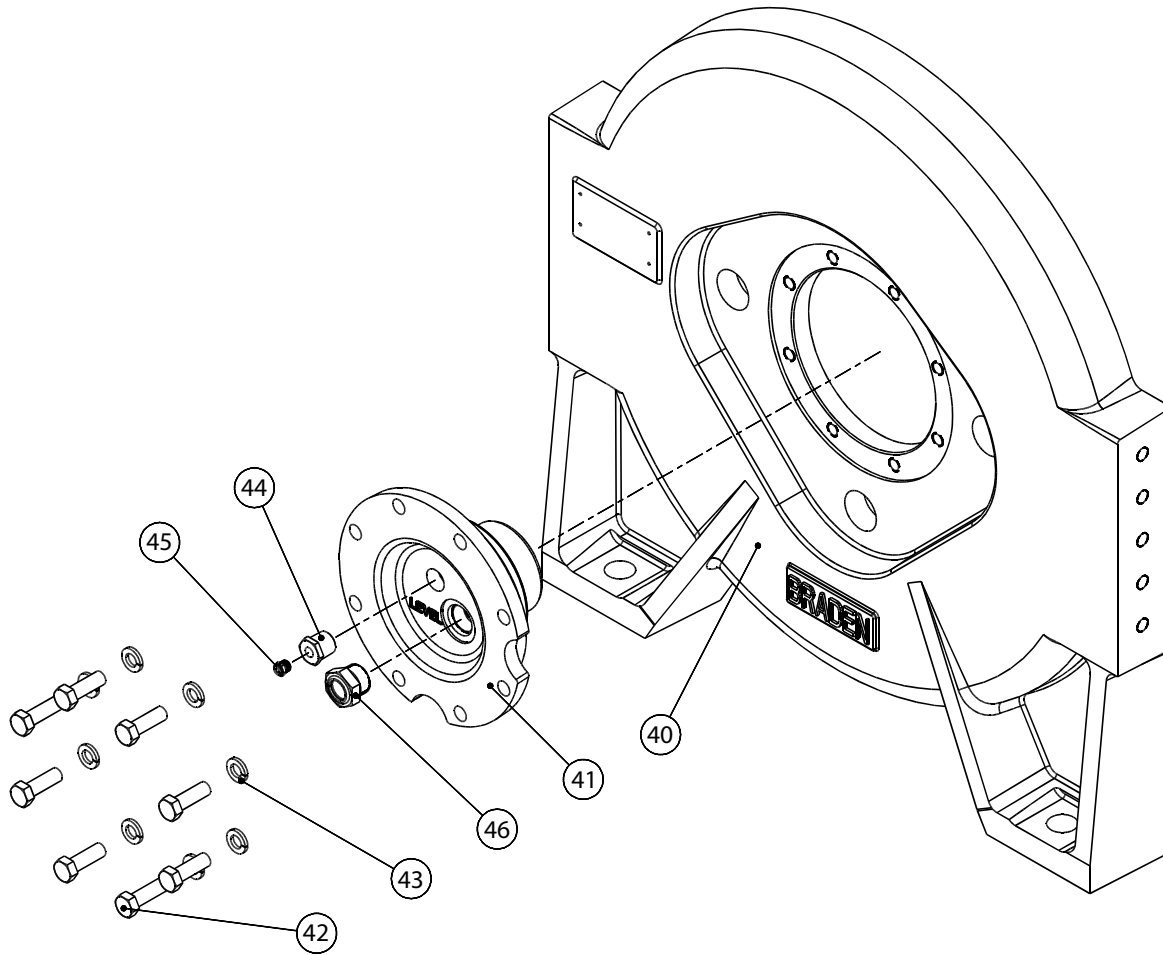
PACCAR WINCH DIVISION
P.O. Box 547 Broken Arrow, Oklahoma 74013
PHONE: (918) 251-8511 FAX: (918) 259-1575
www.paccarwinch.com

MAIN ASSEMBLY



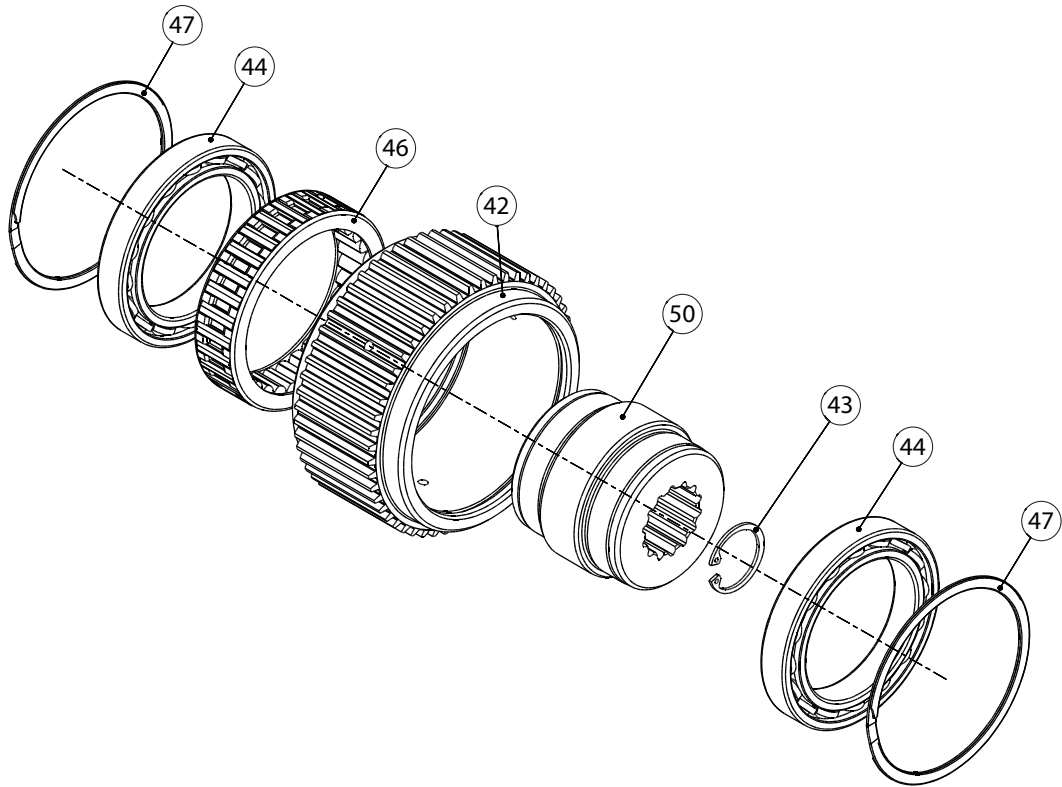
| ITEM | DESCRIPTION | QTY | PART # | ITEM | DESCRIPTION | QTY | PART # |
|------|-----------------------------|-----|--------|------|-----------------------------|-----|--------|
| 1 | OVERRUNNING CLUTCH ASSY | 1 | 82908 | 61 | TIE PLATE | 1 | 103924 |
| 2 | BRAKE CYLINDER SUB ASSY | 1 | 83530 | 62 | TIE PLATE | 1 | 103809 |
| 3 | PRIMARY PLANET CARRIER ASSY | 1 | 82964 | 64 | BALL BEARING | 1 | 24486 |
| 4 | OUTPUT PLANET CARRIER ASSY | 1 | 82932 | 65 | BALL BEARING | 1 | 24487 |
| 5 | DRUM SUPPORT SUB-ASSY | 1 | 83067 | 66 | THRUST WASHER | 1 | 103239 |
| 48 | MOTOR ENDPLATE | 1 | 103155 | 67 | THRUST WASHER | 1 | 29512 |
| 51 | CAPSCREW | 8 | 102347 | 68 | O-RING | 1 | 100589 |
| 52 | LOCKWASHER | 28 | 11026 | 69 | OIL SEAL | 1 | 107297 |
| 53 | RING GEAR | 1 | 104111 | 70 | SEAL | 1 | 70167 |
| 55 | PRIMARY SUN GEAR | 1 | 103600 | 71 | CABLE WEDGE (1/2-3/4 CH150) | 1 | 24493 |
| 56 | DRUM CLOSURE | 1 | 103041 | 72 | PLUG,O-RING FLUSH | 1 | 32411 |
| 57 | OUTPUT SUN GEAR | 1 | 103244 | 104 | V-RING SEAL | 1 | 103380 |
| 59 | CABLE DRUM - GROOVED | 1 | 103798 | 105 | DRIVE SCREW | 4 | 11842 |
| 60 | CAPSCREW | 20 | 103314 | 107 | NAMEPLATE | 1 | 76381 |
| | | | | 108 | CLOSURE | 1 | 70686 |

BEARING SUPPORT



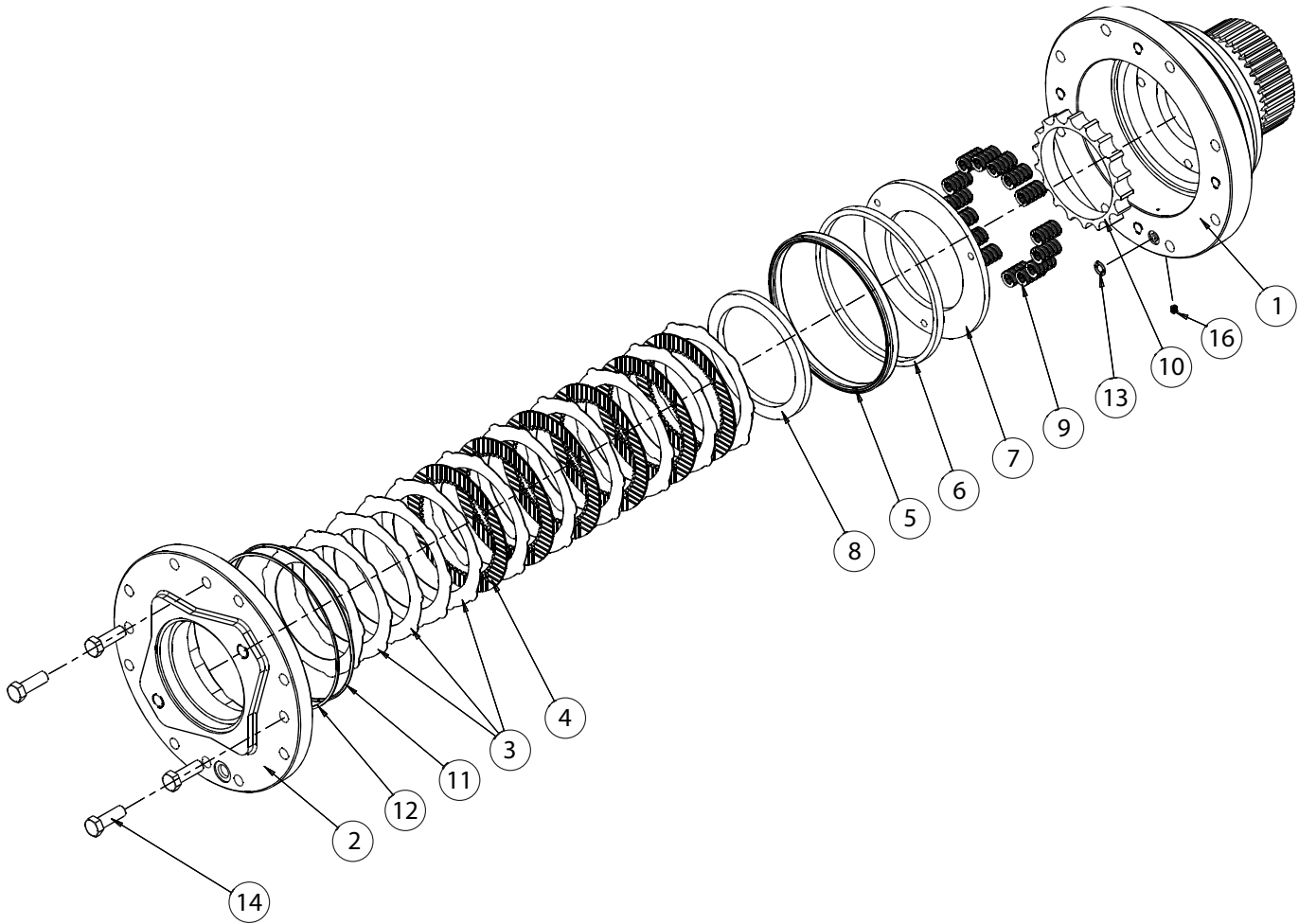
| ITEM | DESCRIPTION | QTY | PART # |
|------|-------------------------|-----|--------|
| * | DRUM SUPPORT SUB-ASSY | 1 | 83067 |
| 40 | SUPPORT END PLATE | 1 | 103156 |
| 41 | BEARING SUPPORT | 1 | 24453 |
| 42 | CAPSCREW | 8 | 104322 |
| 43 | LOCKWASHER | 8 | 11026 |
| 44 | REDUCER BUSHING | 1 | 18066 |
| 45 | RELIEF VALVE 7.5-15 PSI | 1 | 18062 |
| 46 | SIGHT GAUGE | 1 | 70193 |

OVERRUNNING CLUTCH ASSEMBLY



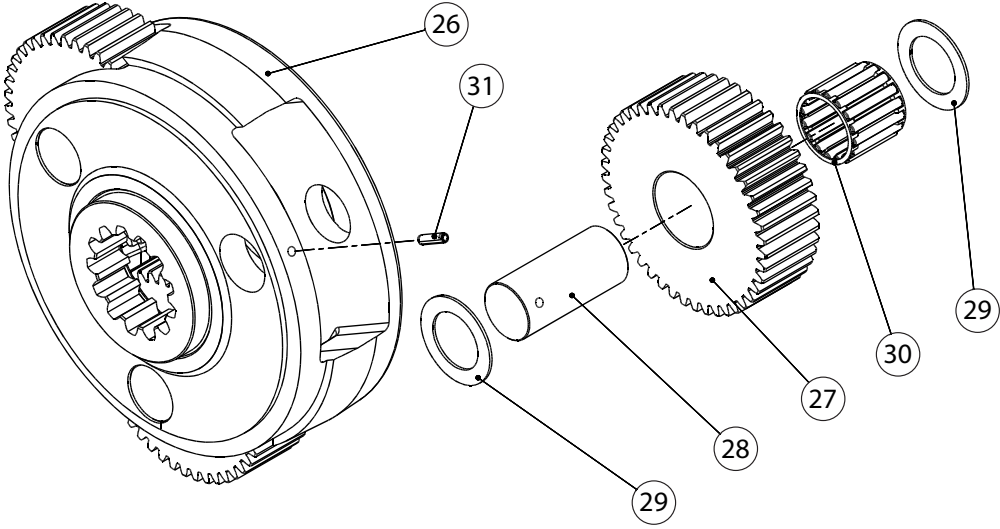
| ITEM | DESCRIPTION | QTY | PART # |
|------|--------------------|-----|--------|
| * | OVERRUNNING CLUTCH | 1 | 82908 |
| 50 | INNER RACE | 1 | 103107 |
| 42 | OUTER RACE | 1 | 103105 |
| 46 | OVERRUNNING CLUTCH | 1 | 107624 |
| 44 | BALL BEARING | 2 | 103104 |
| 47 | RETAINING RING | 2 | 103110 |
| 43 | RETAINING RING | 1 | 24506 |

BRAKE ASSEMBLY



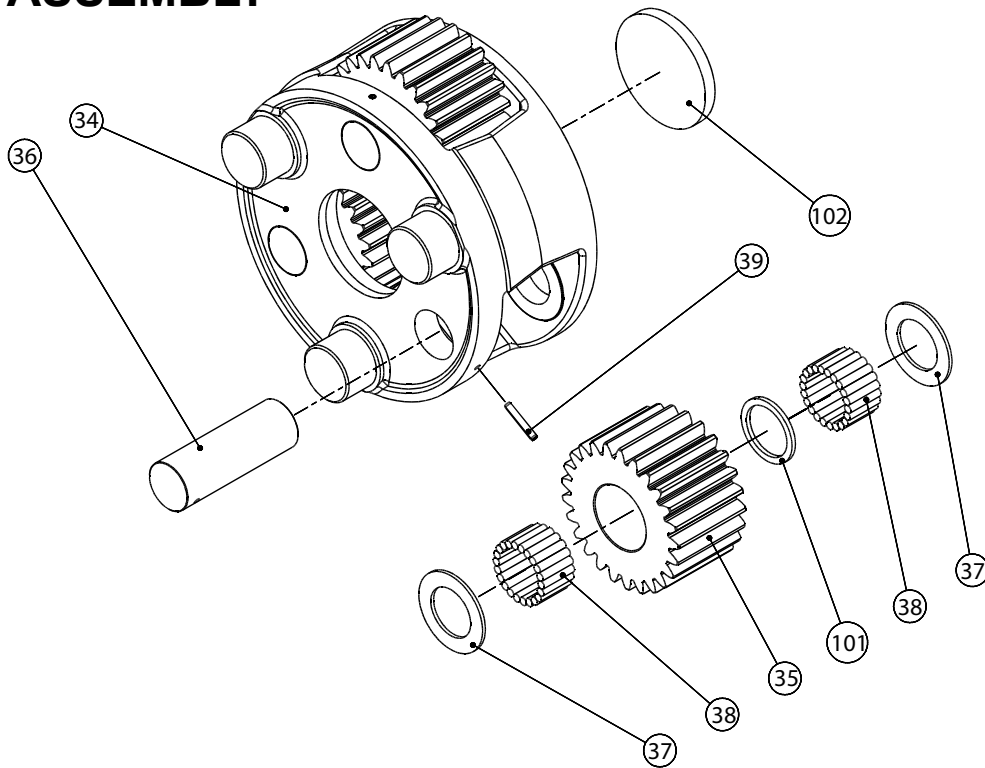
| ITEM | DESCRIPTION | QTY | PART # |
|------|-----------------------------|-----|--------|
| * | BRAKE CYLINDER SUB ASSEMBLY | 1 | 83530 |
| 1 | BRAKE CYLINDER | 1 | 102979 |
| 2 | MOTOR ADAPTER | 1 | 103595 |
| 3 | BRAKE DISC | 11 | 102954 |
| 4 | FRICTION DISC | 6 | 103167 |
| 5 | U-CUP SEAL | 1 | 103441 |
| 6 | PISTON BACK-UP RING | 1 | 25746 |
| 7 | PRESSURE PLATE | 1 | 103168 |
| 8 | BRAKE PLATE SPACER | 1 | 103169 |
| 9 | BRAKE SPRING | 15 | 24108 |
| 10 | SPRING SPACER | 1 | 103147 |
| 11 | O-RING | 1 | 22357 |
| 12 | BACK-UP WASHER | 1 | 77278 |
| 13 | O-RING | 1 | 13017 |
| 14 | CAPSCREW | 4 | 104322 |
| 16 | EXPANSION PLUG | 1 | 103379 |

INPUT PLANET CARRIER ASSEMBLY



| ITEM | DESCRIPTION | QTY | PART # |
|------|-----------------------------|-----|--------|
| * | PRIMARY PLANET CARRIER ASSY | 1 | 82964 |
| 26 | PRIMARY PLANET CARRIER | 1 | 103056 |
| 27 | PRIMARY PLANET GEAR | 3 | 103237 |
| 28 | PRIMARY PLANET SHAFT | 3 | 103447 |
| 30 | ROLLER BEARING | 3 | 26120 |
| 29 | THRUST WASHER | 6 | 24306 |
| 31 | SPIROL PIN | 3 | 24113 |

OUTPUT PLANET CARRIER ASSEMBLY



| ITEM | DESCRIPTION | QTY | PART # |
|------|----------------------------|-----|--------|
| * | OUTPUT PLANET CARRIER ASSY | 1 | 82932 |
| 34 | OUTPUT PLANET CARRIER | 1 | 103060 |
| 35 | OUTPUT PLANET GEAR | 3 | 103236 |
| 36 | OUTPUT PLANET SHAFT | 3 | 103138 |
| 38 | ROLLER | 132 | 103683 |
| 10 | BEARING SPACER | 3 | 103682 |
| 37 | THRUST WASHER | 6 | 103681 |
| 39 | SPIROL PIN | 3 | 24582 |
| 102 | OUTPUT THRUST PLATE | 1 | 103279 |